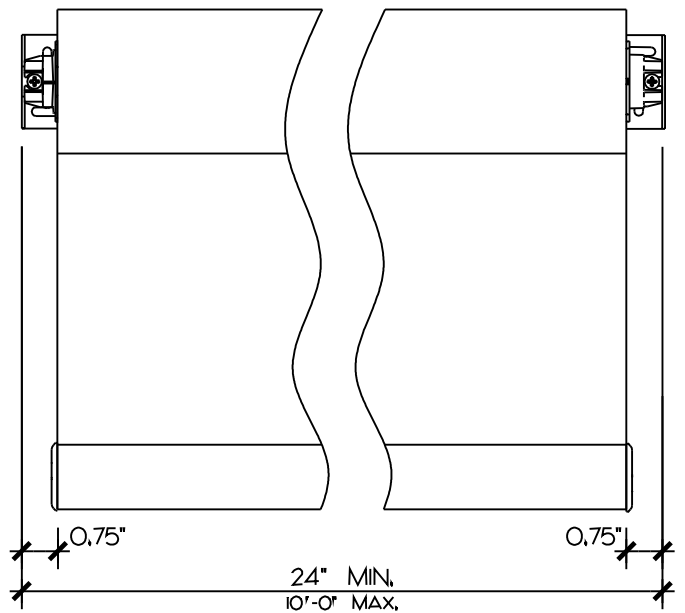
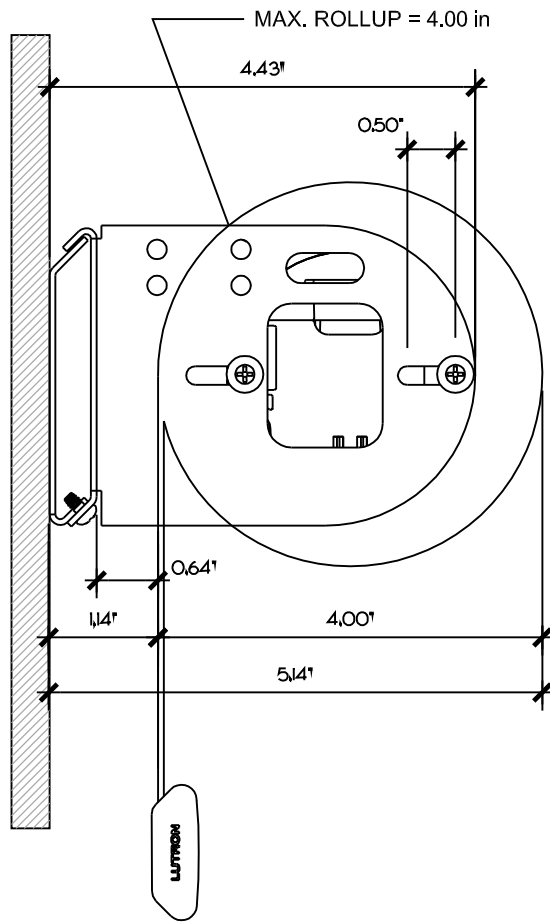


LUTRON QED 100

DESIGNED FOR WINDOW APPROXIMATELY 10 FT. WIDE

TYPICAL MAXIMUM SIZE: 100 SQ. FT.
 MINIMUM WIDTH: 24"
 MAXIMUM WIDTH: 10'-0"
 MAXIMUM HEIGHT: FABRIC DEPENDENT

TUBE SIZE: 2.5" DIA.
 STD. POCKET SIZE: 4.75" X 5"
 MAXIMUM ROLL-UP: 3" DIA.
 LIGHT GAPS: .75" MINIMUM, SYMMETRICAL



PRODUCT DIMENSIONS

SCALE: 6"=1'-0"

SHADE ELEVATION

SCALE: 3"=1'-0"



THE BOSTON SHADE COMPANY

TITLE:
LUTRON QED 100 GENERAL DIMENSIONS

THE BOSTON SHADE COMPANY
 840 SUMMER STREET SUITE 205,
 BOSTON, MA 02127 T. 617.268.7460 F. 617.268.7461

DATE:08/01/09
 SCALE: VARIOUS
 DRAWN:EU

SKETCH NUMBER

100.0