

LUTRON QED 100 - FASCIA MOUNT

FASCIA AVAILABLE IN WHITE, BRONZE, BLACK, CLEAR ANONIZED AND CUSTOM COLORS.

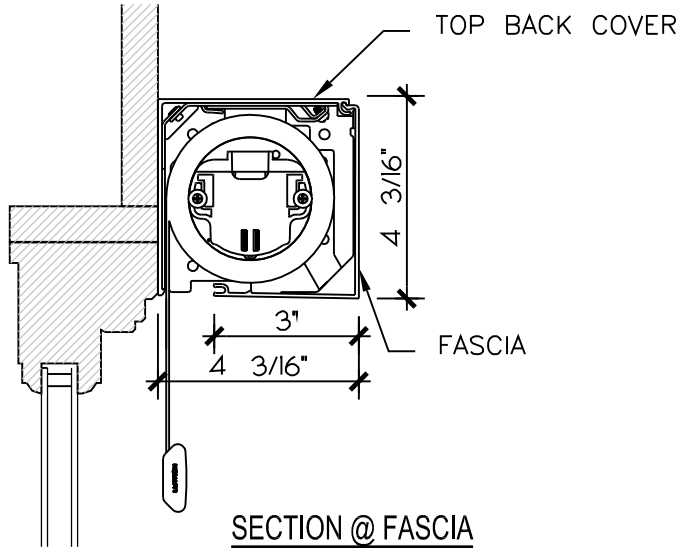
TYPICAL MAXIMUM SIZE: 100 SQ. FT.

MINIMUM WIDTH: 24"

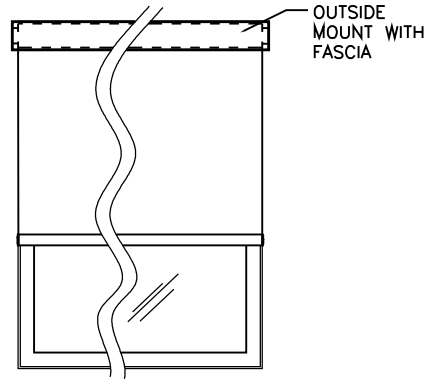
MAXIMUM WIDTH: 10'-0"

LIGHT GAP WITH INSIDE MOUNT: 3/4" MIN. SYMMETRICAL

4 3/16" FASCIA - OUTSIDE MOUNT

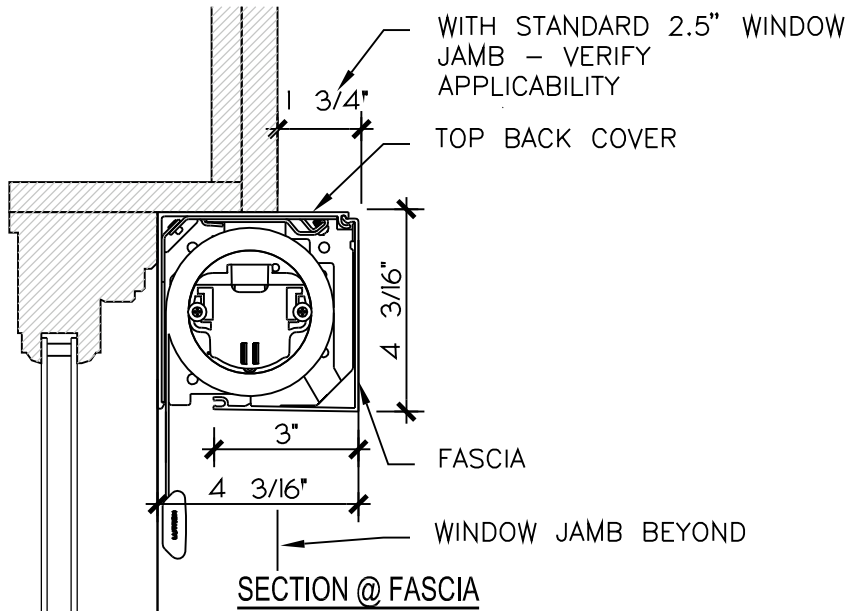


SECTION @ FASCIA
SCALE: 3"-1'-0"

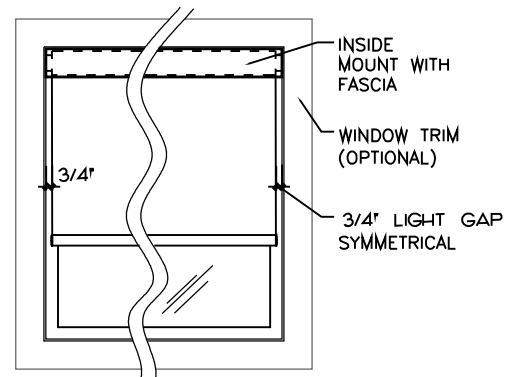


ELEVATION
SCALE: 1/2"-1'-0"

4 3/16" FASCIA - INSIDE MOUNT



SECTION @ FASCIA
SCALE: 3"-1'-0"



ELEVATION
SCALE: 1/2"-1'-0"



THE BOSTON SHADE COMPANY

TITLE:
LUTRON QED 100 FASCIA MOUNT

THE BOSTON SHADE COMPANY
840 SUMMER STREET SUITE 205,
BOSTON, MA 02127 T. 617.268.7460 F. 617.268.7461

DATE:08/01/09
SCALE: VARIOUS
DRAWN:EU

SKETCH NUMBER

100.1