

LUTRON QED 100 - FASCIA MOUNT - BLACKOUT

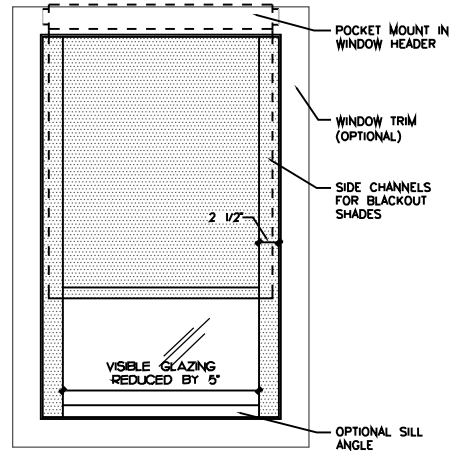
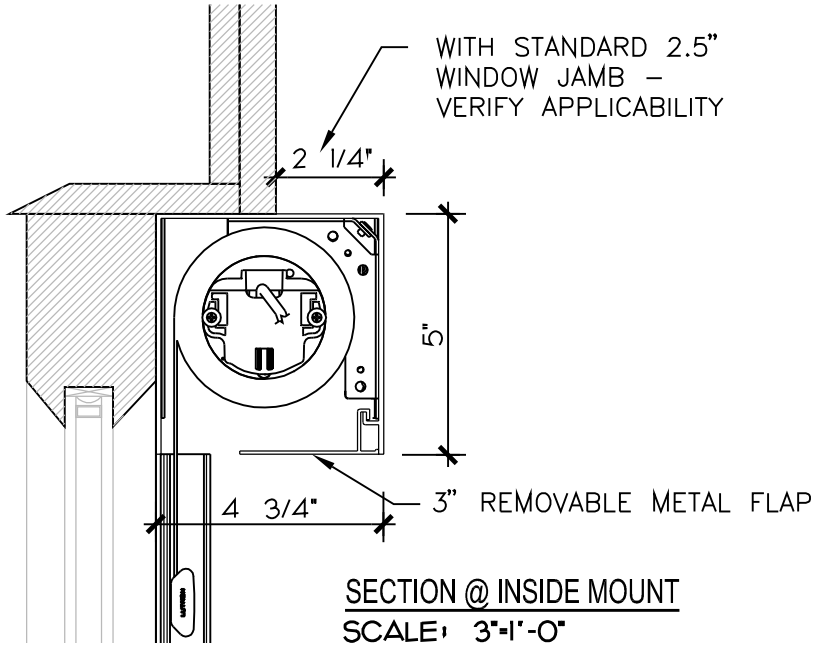
FASCIA AVAILABLE IN WHITE, BRONZE, BLACK, CLEAR ANONIZED AND CUSTOM COLORS.

MAXIMUM FASCIA LENGTH : 180"
 TYPICAL MAXIMUM SIZE: 100 SQ. FT.

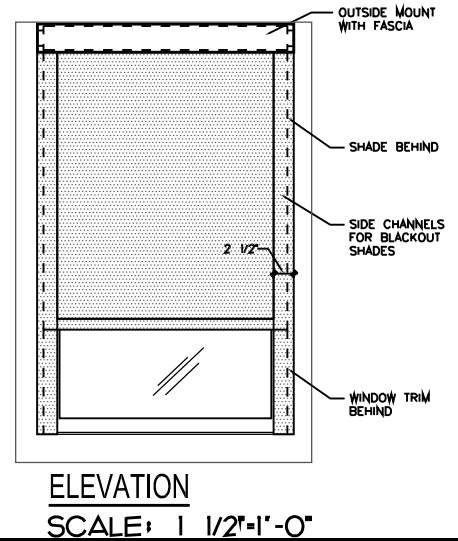
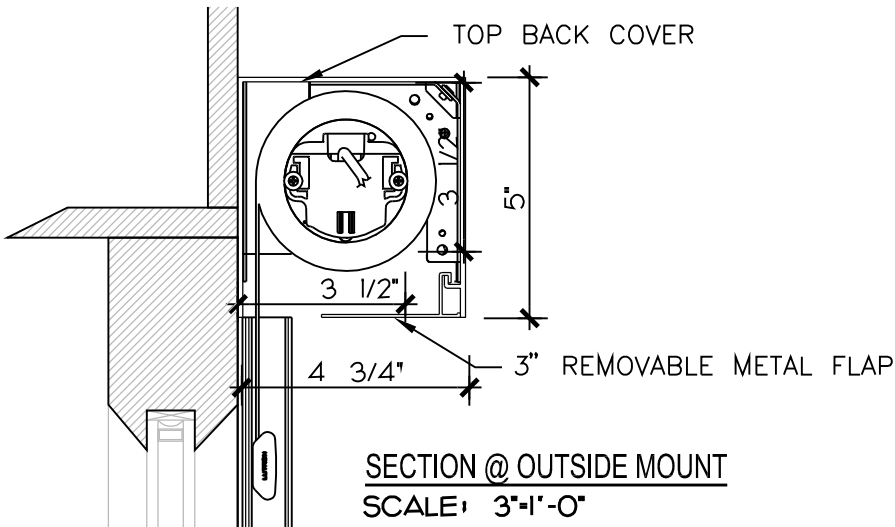
MINIMUM WIDTH: 24"
 MAXIMUM WIDTH: 10'-0"

LIGHT GAP WITH INSIDE MOUNT: 3/4" MIN. SYMMETRICAL

4 3/16" FASCIA - BLACKOUT - INSIDE MOUNT



4 3/16" FASCIA - BLACKOUT - OUTSIDE MOUNT



THE BOSTON SHADE COMPANY

TITLE:
 LUTRON QED 100 BLACKOUT SHADES

THE BOSTON SHADE COMPANY
 840 SUMMER STREET SUITE 205,
 BOSTON, MA 02127 T. 617.268.7460 F. 617.268.7461

DATE:08/01/09
 SCALE: VARIOUS
 DRAWN:EU

SKETCH NUMBER

100.2