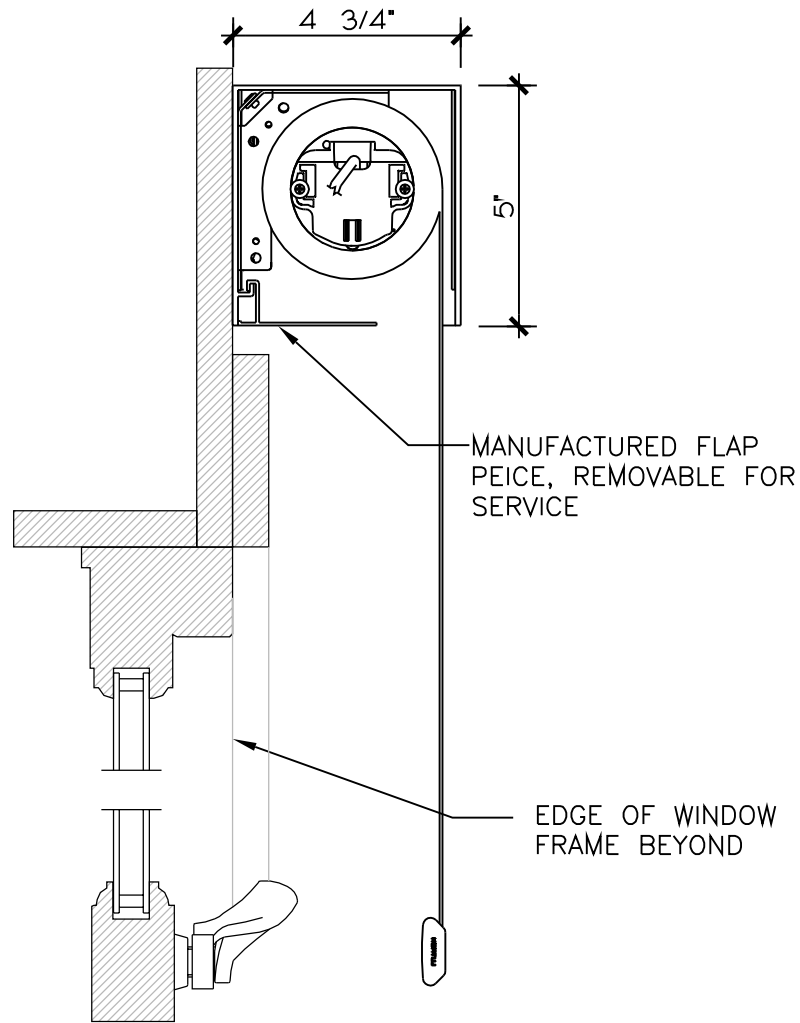


LUTRON QED 100 - BOX - REVERSE ROLL

RECOMMENDED FOR APPLICATIONS WHERE OBJECTS, SUCH AS HANDLES OR LEVERS PROTRUDE FROM WINDOW AND MAY INTERFERE WITH SHADE TRAVEL.

REVERSE ROLLING SHADE MUST BE INSTALLED WITH ALUMINUM BOX CASING

LIGHT GAP WITH INSIDE MOUNT: $\frac{3}{4}$ "



BOX - REVERSE ROLL

SCALE: 3"=1'-0"



THE BOSTON SHADE COMPANY

TITLE:
LUTRON QED 100 BOX - REVERSE ROLL

THE BOSTON SHADE COMPANY
840 SUMMER STREET SUITE 205,
BOSTON, MA 02127 T. 617.268.7460 F. 617.268.7461

DATE:08/01/09
SCALE: VARIOUS
DRAWN:EU

SKETCH NUMBER

100.3