

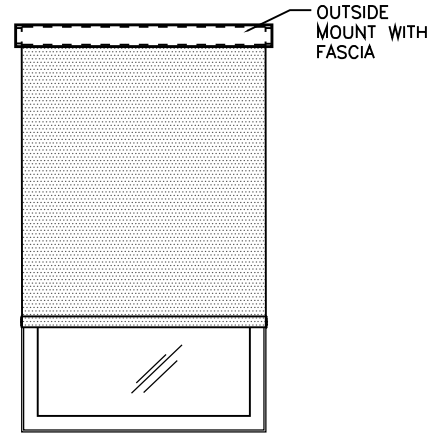
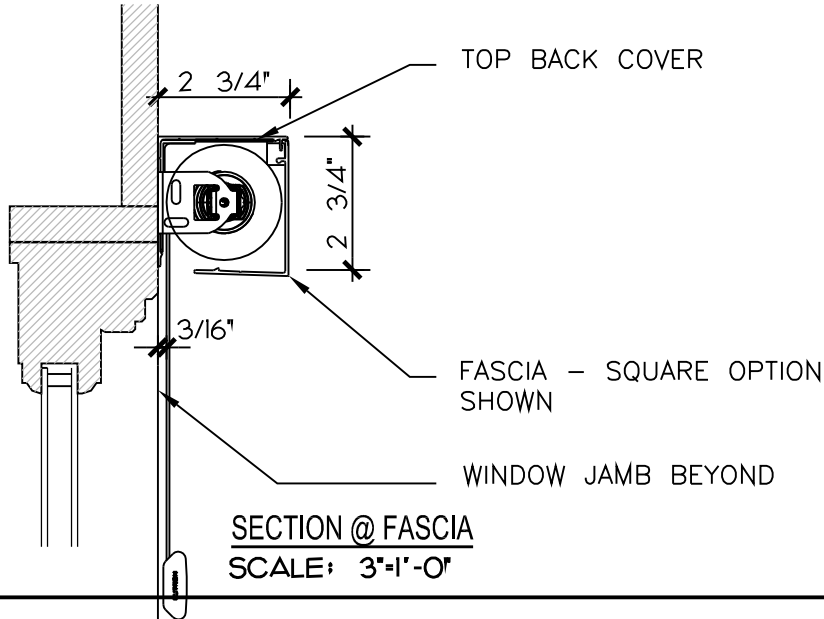
LUTRON QED 20 - FASCIA MOUNT

FASCIA AVAILABLE IN WHITE, BRONZE, BLACK, CLEAR ANONIZED AND CUSTOM COLORS

TYPICAL MAXIMUM SIZE: 20 SQ. FT.
 MINIMUM WIDTH: 18.5"

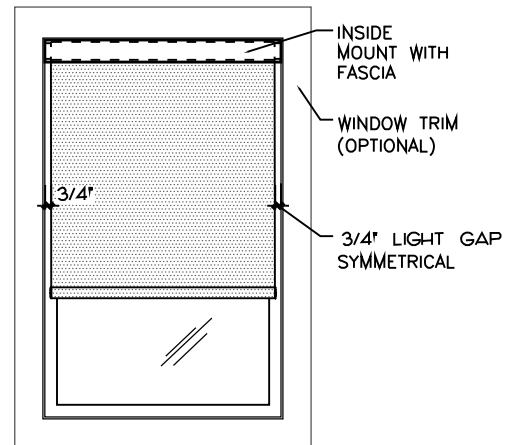
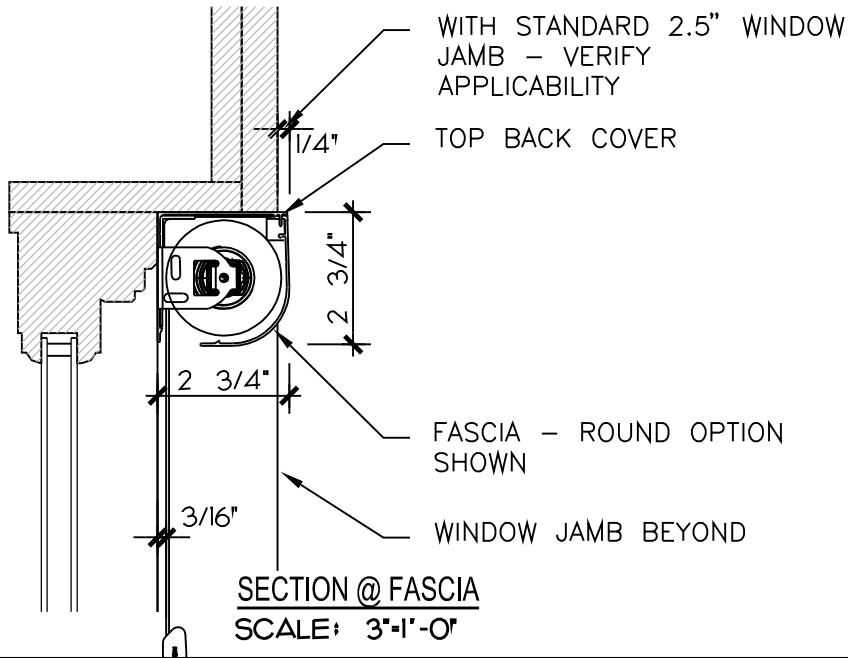
LIGHT GAP WITH INSIDE MOUNT: 3/4" MIN. SYMMETRICAL

2 3/4" SQUARE FASCIA - OUTSIDE MOUNT



ELEVATION
 SCALE: 1/2"-1'-0"

2 3/4" ROUND FASCIA - INSIDE MOUNT



ELEVATION
 SCALE: 1/2"-1'-0"



THE BOSTON SHADE COMPANY

TITLE:
 LUTRON QED 20 FASCIA MOUNT

THE BOSTON SHADE COMPANY
 840 SUMMER STREET SUITE 205,
 BOSTON, MA 02127 T. 617.268.7460 F. 617.268.7461

DATE:08/01/09
 SCALE: VARIOUS
 DRAWN:EU

SKETCH NUMBER

20.1