

LUTRON QED 20 - FASCIA MOUNT - BLACKOUT

FASCIA AVAILABLE IN WHITE, BRONZE, BLACK, CLEAR ANONIZED AND CUSTOM COLORS

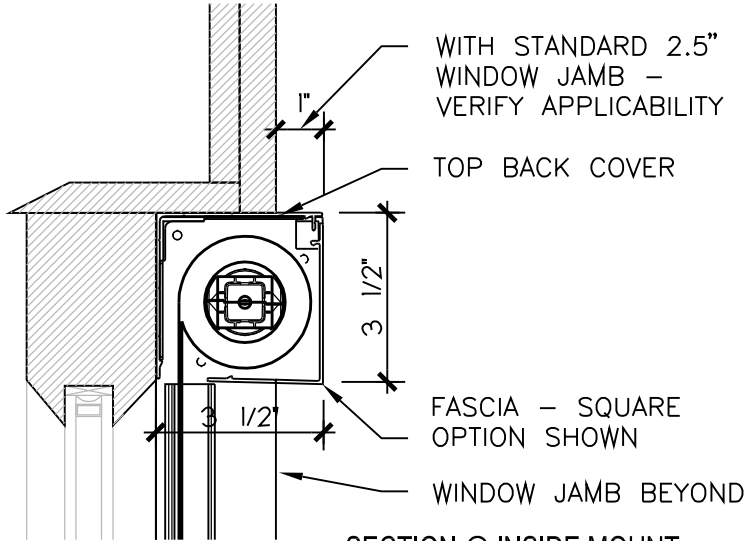
MAXIMUM FASCIA LENGTH : 180"

TYPICAL MAXIMUM SIZE: 20 SQ. FT.

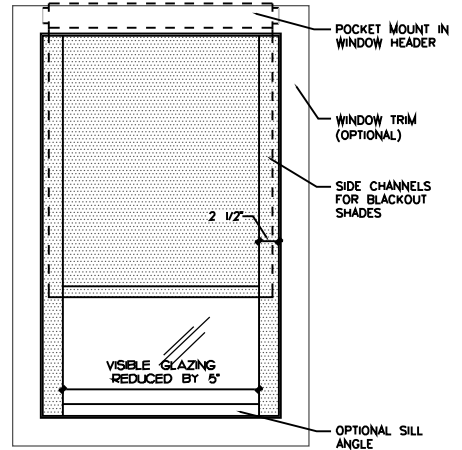
MINIMUM WIDTH: 18.5"

LIGHT GAP WITH INSIDE MOUNT: 3/4" MIN. SYMMETRICAL

3 1/2" SQUARE FASCIA - BLACKOUT - INSIDE MOUNT

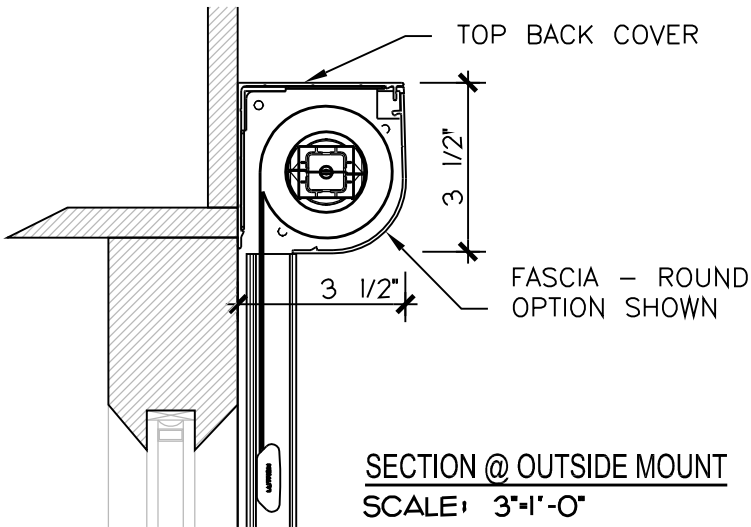


SECTION @ INSIDE MOUNT
SCALE: 3"-1'-0"

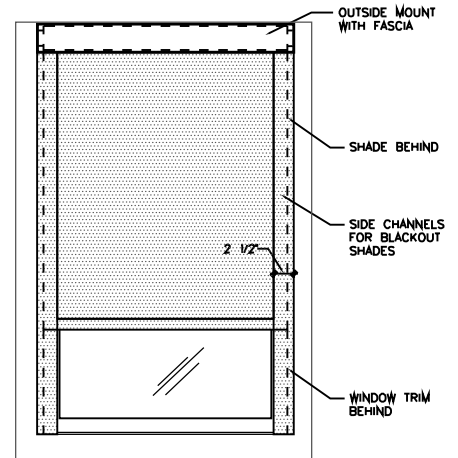


ELEVATION
SCALE: 1 1/2"-1'-0"

3 1/2" ROUND FASCIA - BLACKOUT - OUTSIDE MOUNT



SECTION @ OUTSIDE MOUNT
SCALE: 3"-1'-0"



ELEVATION
SCALE: 1 1/2"-1'-0"



THE BOSTON SHADE COMPANY

TITLE:
LUTRON QED 20 BLACKOUT SHADES

THE BOSTON SHADE COMPANY
840 SUMMER STREET SUITE 205,
BOSTON, MA 02127 T. 617.268.7460 F. 617.268.7461

DATE:08/01/09
SCALE: VARIOUS
DRAWN:EU

SKETCH NUMBER

20.2