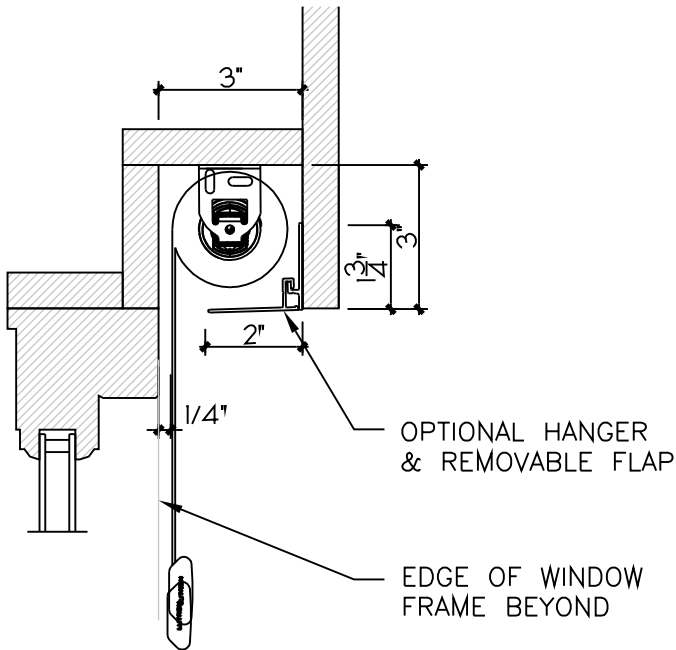


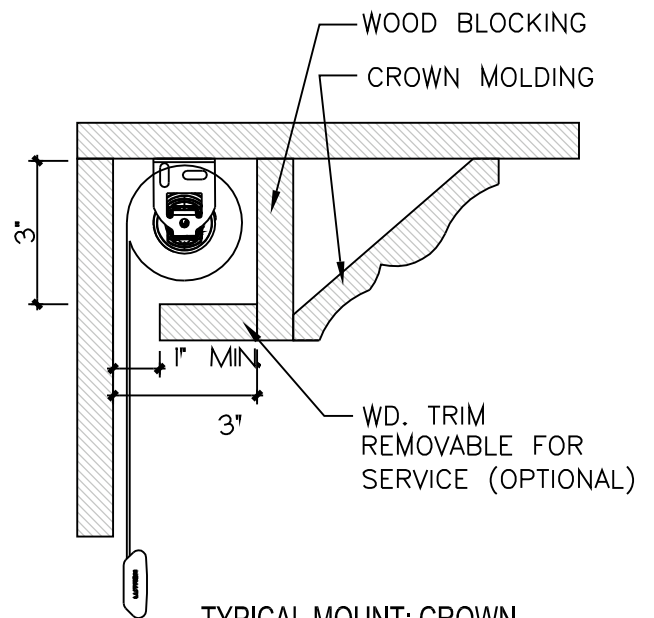
# LUTRON QED 20 - CUSTOM POCKET MOUNTED

TYPICAL MAXIMUM SIZE: 20 SQ. FT.  
 MINIMUM WIDTH: 18.5"

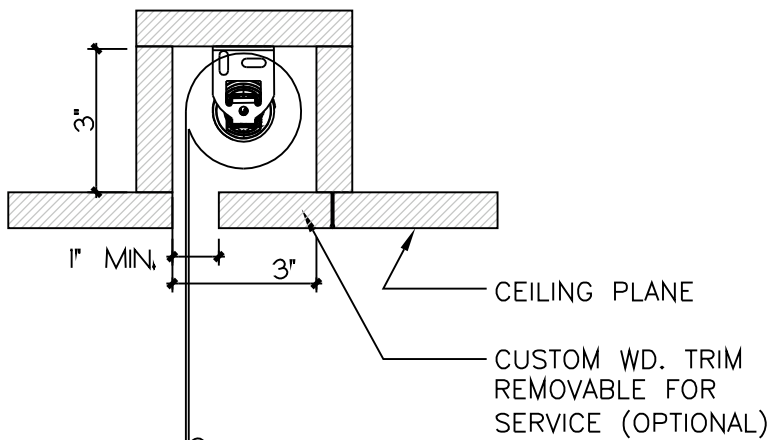
LIGHT GAP WITH INSIDE MOUNT: 3/4" MIN. SYMMETRICAL



**TYPICAL MOUNT: WINDOW HEAD**  
 SCALE: 3" = 1'-0"



**TYPICAL MOUNT: CROWN**  
 SCALE: 3" = 1'-0"



**TYPICAL MOUNT: CEILING**  
 SCALE: 3" = 1'-0"



THE BOSTON SHADE COMPANY

TITLE:  
 LUTRON QED 20 POCKET MOUNT

THE BOSTON SHADE COMPANY  
 840 SUMMER STREET SUITE 205,  
 BOSTON, MA 02127 T. 617.268.7460 F. 617.268.7461

DATE: 08/01/09  
 SCALE: VARIOUS  
 DRAWN: EU

SKETCH NUMBER

**20.4**