

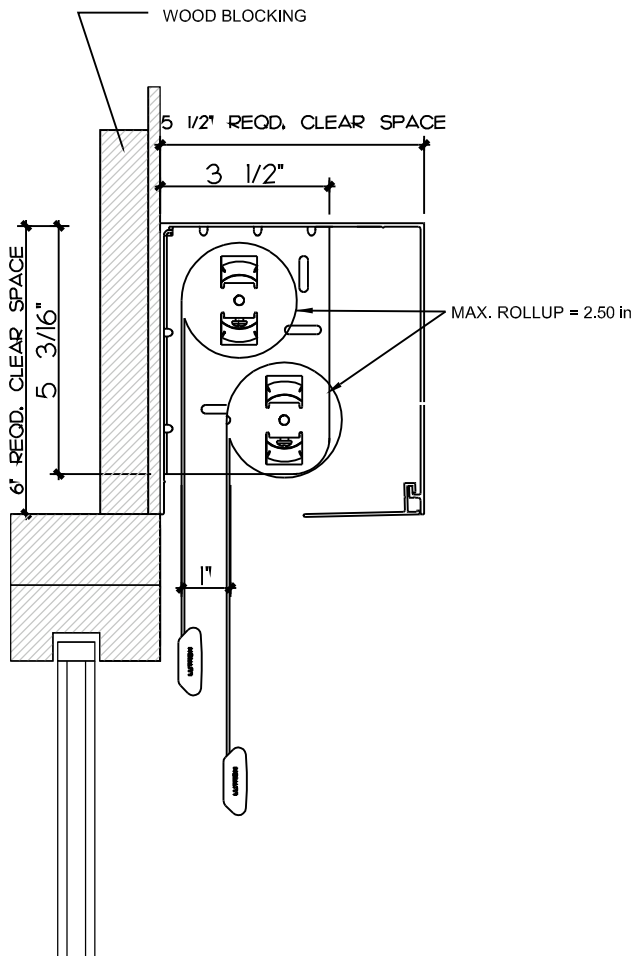
# LUTRON QED 20 - DUAL MOUNT BRACKET

INSTALL TWO FABRIC PANELS OVER THE SAME WINDOW WITH THIS COMPACT BRACKET SYSTEM

TYPICAL MAXIMUM SIZE: 20 SQ. FT.  
 MINIMUM WIDTH: 18.5"  
 MAXIMUM HEIGHT: FABRIC DEPENDENT

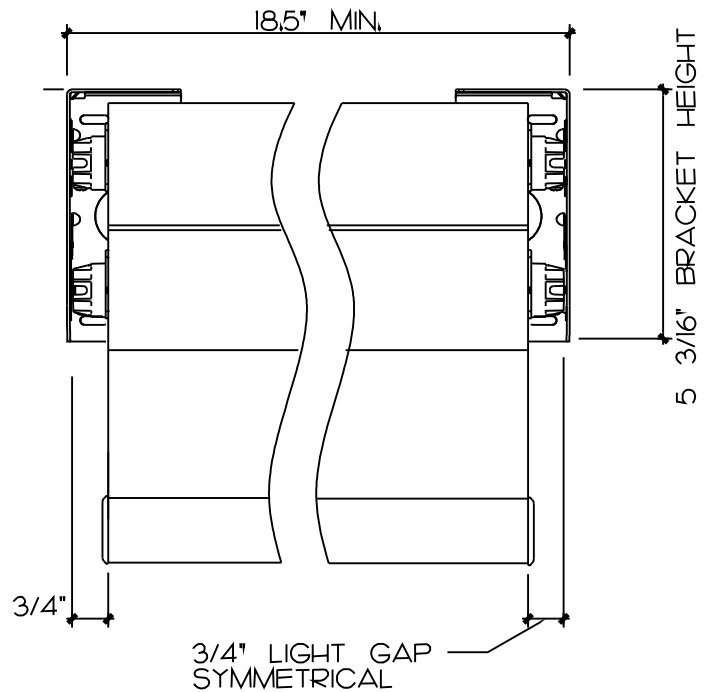
TUBE SIZE: 1.25" DIA. EACH  
 POCKET SIZE: 5.5"X6"  
 MAXIMUM ROLL-UP: 2.5" DIA.EACH

LIGHT GAPS: .75" MINIMUM, SYMMETRICAL



## BRACKET SECTION

SCALE: 3"=1'-0"



## ELEVATION

SCALE: 3"=1'-0"



THE BOSTON SHADE COMPANY

TITLE:  
LUTRON QED 20 DUAL MOUNT BRACKET

THE BOSTON SHADE COMPANY  
 840 SUMMER STREET SUITE 205,  
 BOSTON, MA 02127 T. 617.268.7460 F. 617.268.7461

DATE:08/01/09  
 SCALE: 3"=1'-0"  
 DRAWN:EU

SKETCH NUMBER

**20.5**