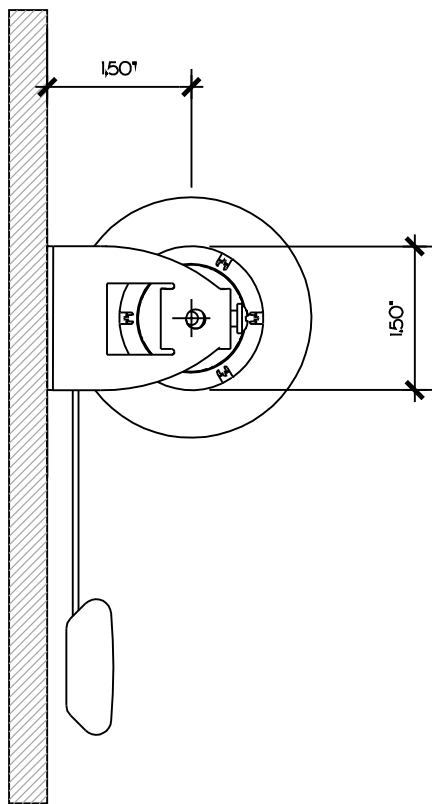


# SOMFY ST30 DCT, ILT, RTS

TYPICAL MAXIMUM SIZE: 64 SQFT.  
 MINIMUM WIDTH: 17"  
 MAXIMUM WIDTH: 96" (8'-0")  
 MAXIMUM HEIGHT: FABRIC DEPENDENT

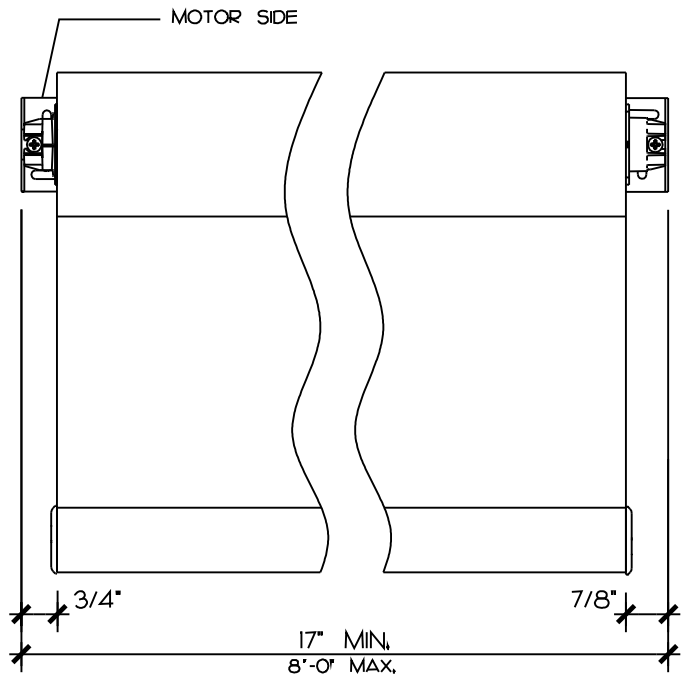
TUBE SIZE: 1 1/2" DIA.  
 POCKET SIZE: 3 1/2" x 3 1/2"  
 MAXIMUM ROLL-UP: 3" DIA.

LIGHT GAPS: 3/4" ON MOTOR SIDE  
 7/8" ON IDLER SIDE



**PRODUCT DIMENSIONS**

SCALE: 6"=1'-0"



**SHADE ELEVATION**

SCALE: 3"=1'-0"



THE BOSTON SHADE COMPANY

TITLE:  
 SOMFY ST30 DCT, ILT, RTS - GENERAL  
 DIMENSIONS

THE BOSTON SHADE COMPANY  
 840 SUMMER STREET SUITE 205,  
 BOSTON, MA 02127 T. 617.268.7460 F. 617.268.7461

DATE:08/01/09  
 SCALE: VARIOUS  
 DRAWN:EU

SKETCH NUMBER

**30.0**