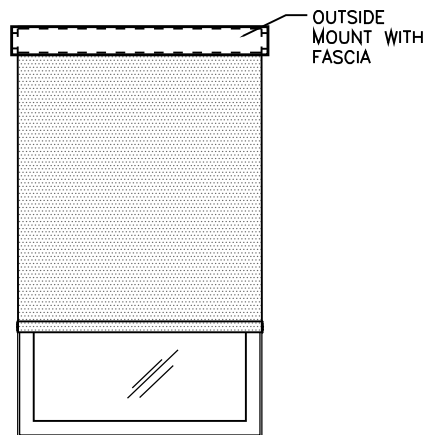
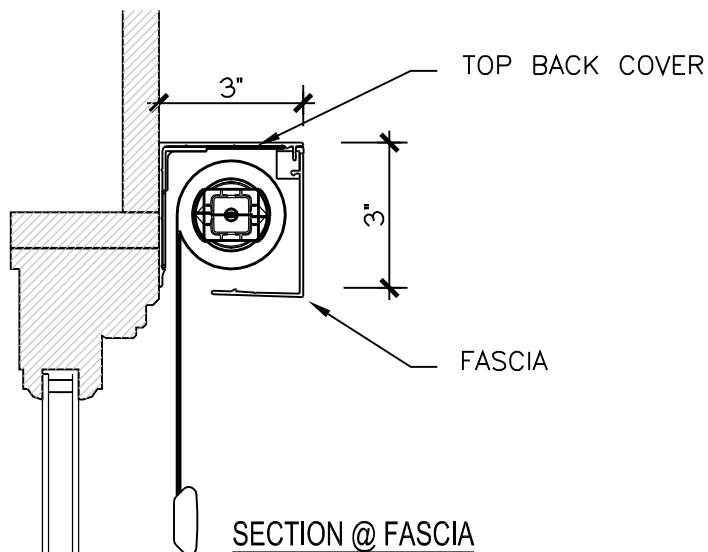


SOMFY ST30 DCT, ILT, RTS - FASCIA MOUNT ROLLER SHADE

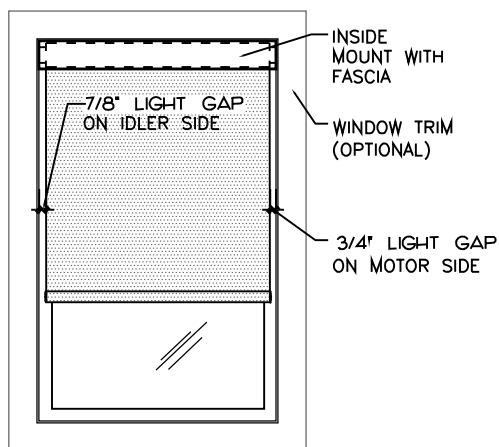
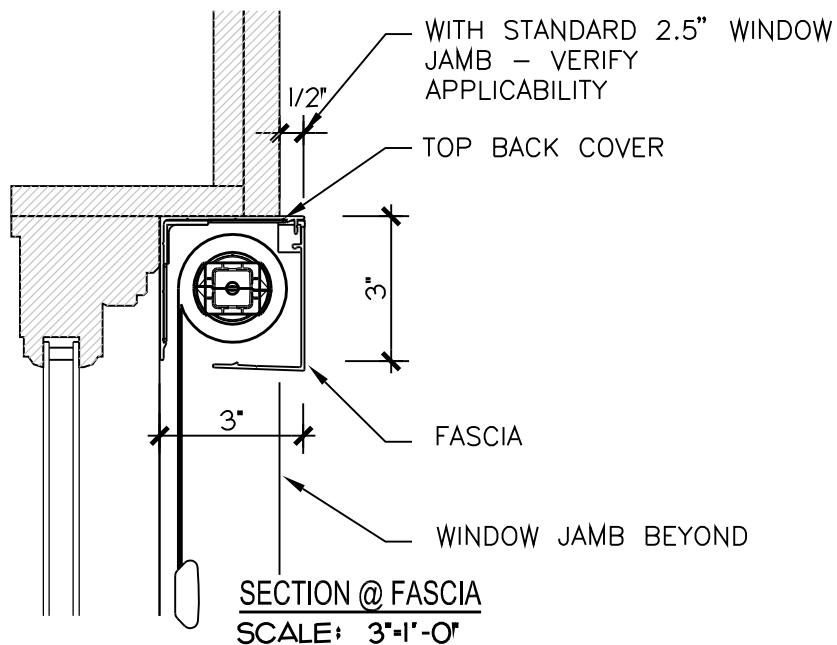
TYPICAL MAXIMUM SIZE: 64 SQFT.
 MINIMUM WIDTH: 17"
 MAXIMUM WIDTH: 96" (8'-0")

LIGHT GAP WITH INSIDE MOUNT: $\frac{3}{4}$ " MIN. ON MOTOR SIDE
 $\frac{7}{8}$ " MIN. ON IDLER SIDE

3" FASCIA - OUTSIDE MOUNT



3" FASCIA - INSIDE MOUNT



THE BOSTON SHADE COMPANY

TITLE:
 SOMFY ST30 DCT, ILT, RTS - FASCIA
 MOUNT ROLLER SHADE

THE BOSTON SHADE COMPANY
 840 SUMMER STREET SUITE 205,
 BOSTON, MA 02127 T. 617.268.7460 F. 617.268.7461

DATE:08/01/09
 SCALE: VARIOUS
 DRAWN:EU

SKETCH NUMBER

30.1