

SOMFY ST30 DCT, ILT, RTS FASCIA MOUNT BLACKOUT ROLLER SHADE

MAXIMUM FASCIA LENGTH : 180"

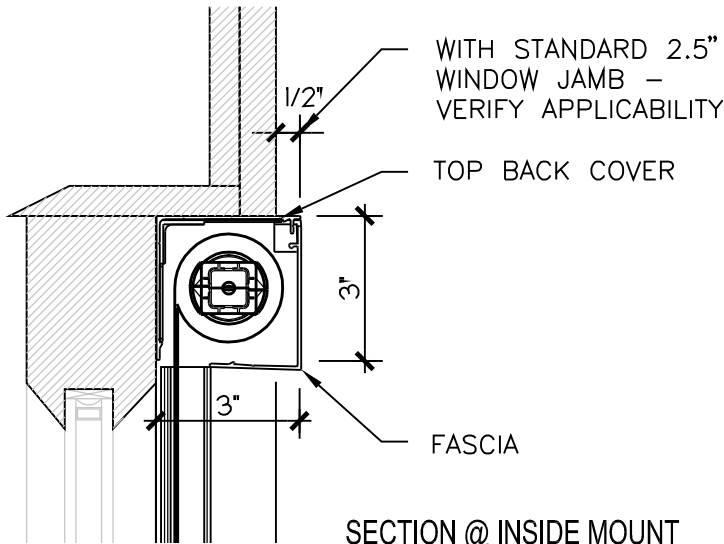
TYPICAL MAXIMUM SIZE: 64 SQFT.

MINIMUM WIDTH: 17"

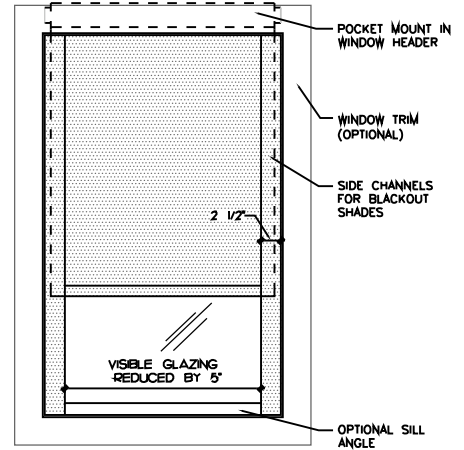
MAXIMUM WIDTH: 96" (8'-0")

LIGHT GAP WITH INSIDE MOUNT: $\frac{3}{4}$ " MIN. ON MOTOR SIDE
 $\frac{7}{8}$ " MIN. ON IDLER SIDE

3" FASCIA - BLACKOUT - INSIDE MOUNT

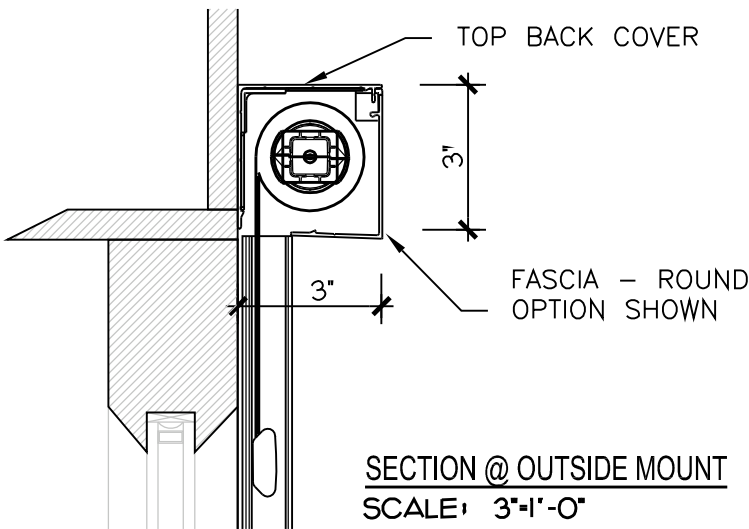


SECTION @ INSIDE MOUNT
SCALE: 3"-1'-0"

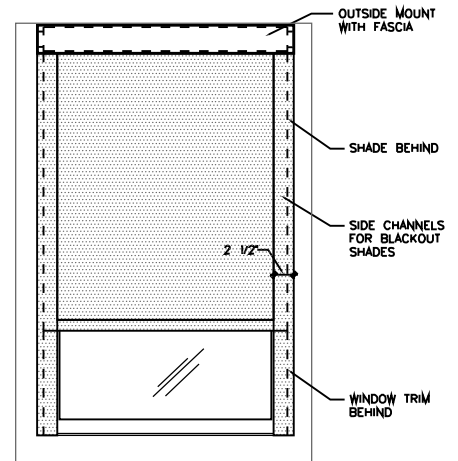


ELEVATION
SCALE: 1 1/2"-1'-0"

3" FASCIA - BLACKOUT - OUTSIDE MOUNT



SECTION @ OUTSIDE MOUNT
SCALE: 3"-1'-0"



ELEVATION
SCALE: 1 1/2"-1'-0"



THE BOSTON SHADE COMPANY

TITLE:
SOMFY ST30 DCT, ITL, RTS - FASCIA
MOUNT BLACKOUT ROLLER SHADE

THE BOSTON SHADE COMPANY
840 SUMMER STREET SUITE 205,
BOSTON, MA 02127 T. 617.268.7460 F. 617.268.7461

DATE:08/01/09
SCALE: VARIOUS
DRAWN:EU

SKETCH NUMBER

30.2