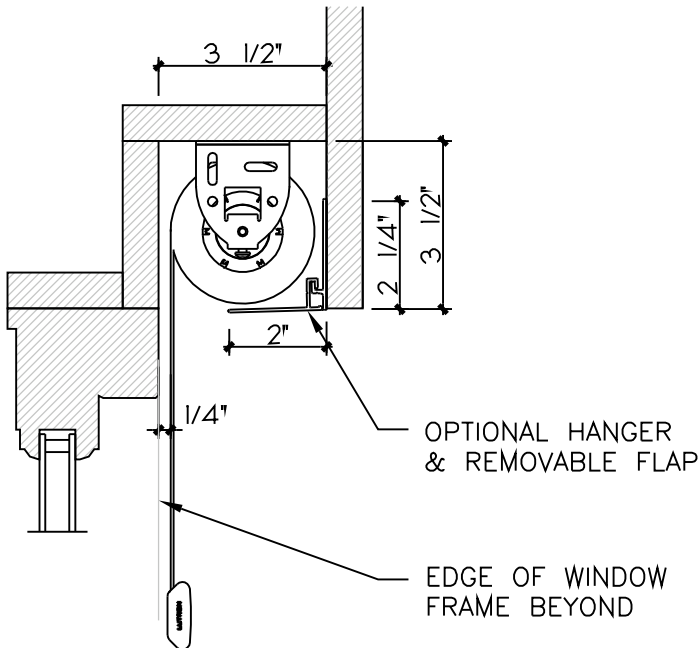


SOMFY ST30 DCT, ILT, RTS - CUSTOM POCKET MOUNT ROLLER SHADE

TYPICAL MAXIMUM SIZE: 64 SQFT
 MINIMUM WIDTH: 17"
 MAXIMUM WIDTH: 96" (8'-0")

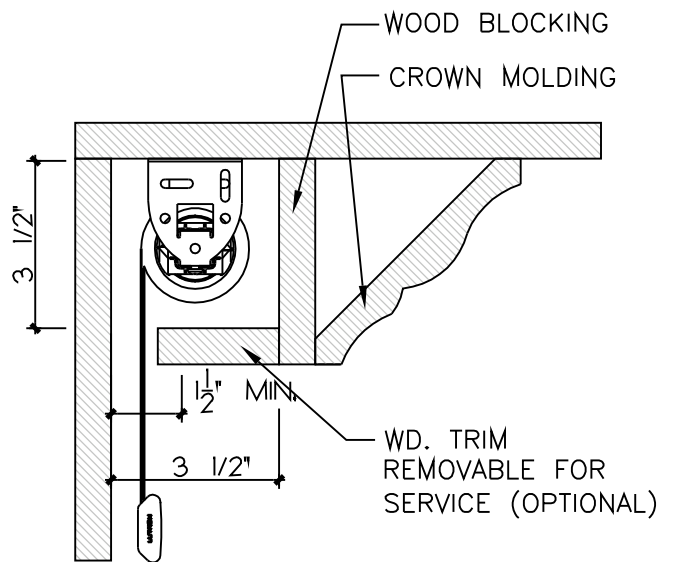
LIGHT GAP WITH INSIDE MOUNT: $\frac{3}{4}$ " MIN. ON MOTOR SIDE
 $\frac{7}{8}$ " MIN. ON IDLER SIDE



OPTIONAL HANGER & REMOVABLE FLAP

EDGE OF WINDOW FRAME BEYOND

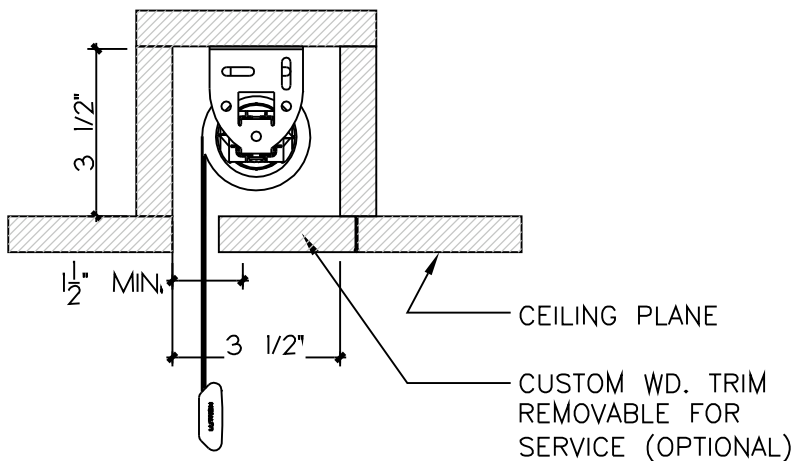
TYPICAL MOUNT: WINDOW HEAD
 SCALE: 3" = 1'-0"



WOOD BLOCKING
 CROWN MOLDING

WD. TRIM REMOVABLE FOR SERVICE (OPTIONAL)

TYPICAL MOUNT: CROWN
 SCALE: 3" = 1'-0"



CEILING PLANE

CUSTOM WD. TRIM REMOVABLE FOR SERVICE (OPTIONAL)

TYPICAL MOUNT: CEILING
 SCALE: 3" = 1'-0"



THE BOSTON SHADE COMPANY

TITLE:
 SOMFY ST30 DCT, ILT, RTS - CUSTOM
 POCKET MOUNTED ROLLER SHADE

THE BOSTON SHADE COMPANY
 840 SUMMER STREET SUITE 205,
 BOSTON, MA 02127 T. 617.268.7460 F. 617.268.7461

DATE:08/01/09
 SCALE: VARIOUS
 DRAWN:EU

SKETCH NUMBER

30.4