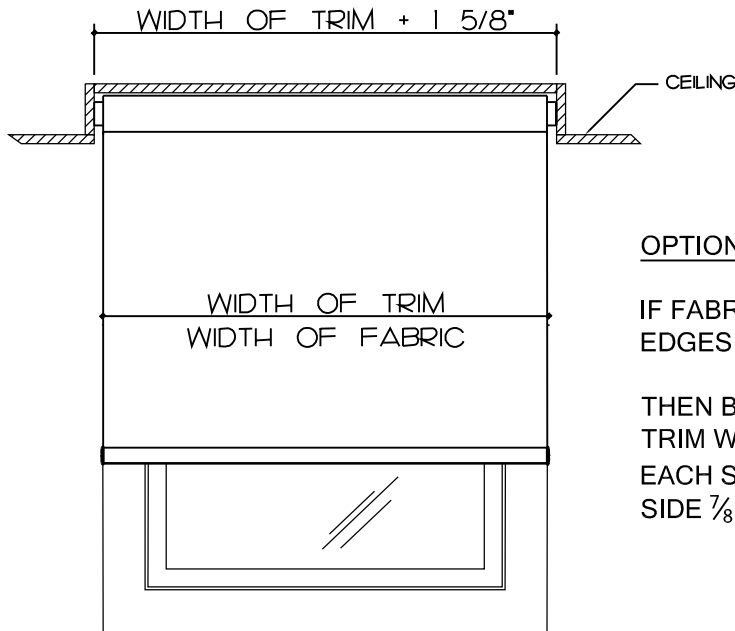


SOMFY ROLLER SHADE FABRIC WIDTH/GAP OPTIONS

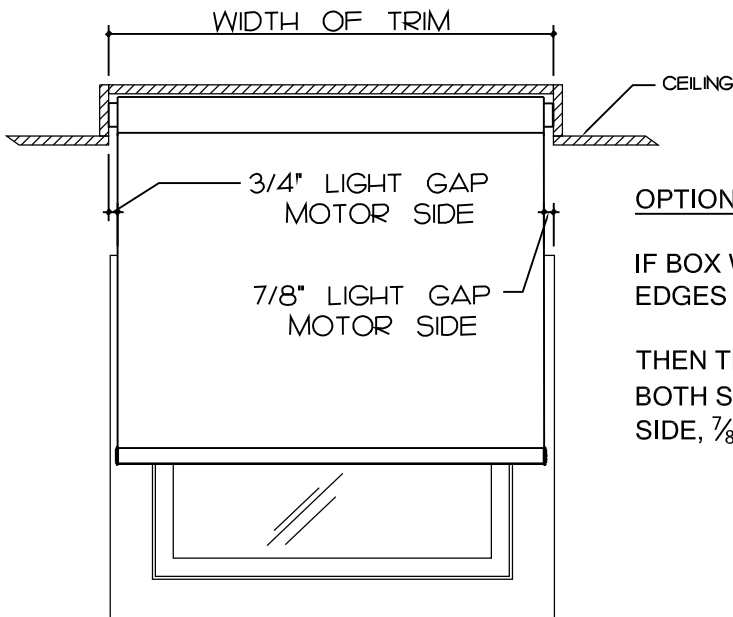
DESIGNER NOTE



OPTION 1:

IF FABRIC EDGES ALIGN WITH TRIM EDGES

THEN BOX WIDTH EQUALS THE TRIM WIDTH PLUS LIGHT GAPS ON EACH SIDE (MOTOR SIDE $\frac{3}{4}$ " , IDLER SIDE $\frac{7}{8}$ ").



OPTION 2:

IF BOX WIDTH ALIGNS WITH TRIM EDGES

THEN TRIM WILL BE VISIBLE ON BOTH SIDES ($\frac{3}{4}$ " VISIBLE ON MOTOR SIDE, $\frac{7}{8}$ " VISIBLE ON IDLER SIDE).



THE BOSTON SHADE COMPANY

TITLE:
SOMFY ROLLER SHADE FABRIC
WIDTH/GAP OPTIONS

THE BOSTON SHADE COMPANY
840 SUMMER STREET SUITE 205,
BOSTON, MA 02127 T. 617.268.7460 F. 617.268.7461

DATE:08/01/09
SCALE: NTS
DRAWN:EU

SKETCH NUMBER

30.5