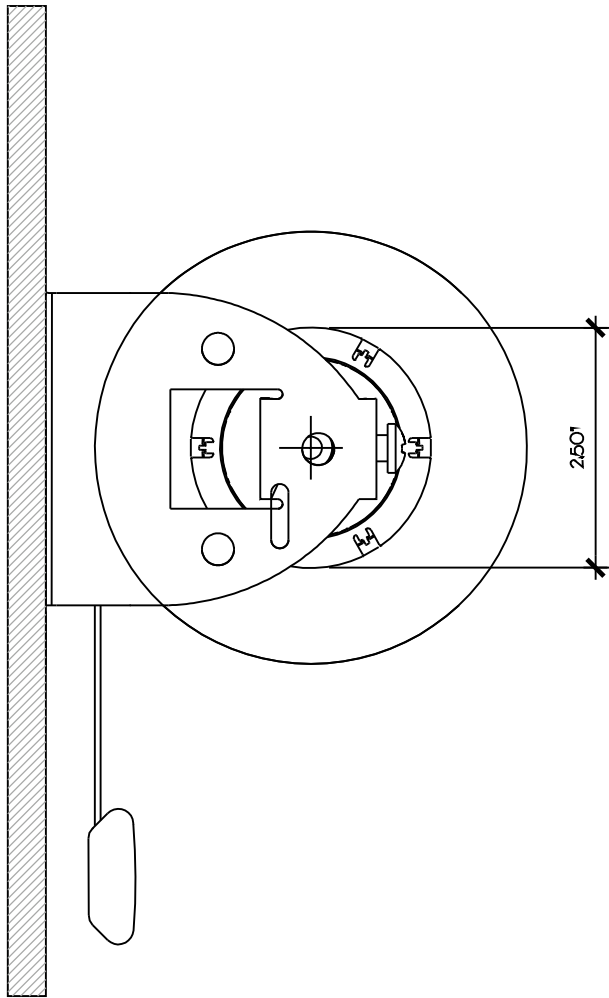


SOMFY ST50 STD, ILT, RTS

TYPICAL MAXIMUM SIZE: 144 SQFT.
 MINIMUM WIDTH: 36"
 MAXIMUM WIDTH: 144" (12'-0")
 MAXIMUM HEIGHT: FABRIC DEPENDENT

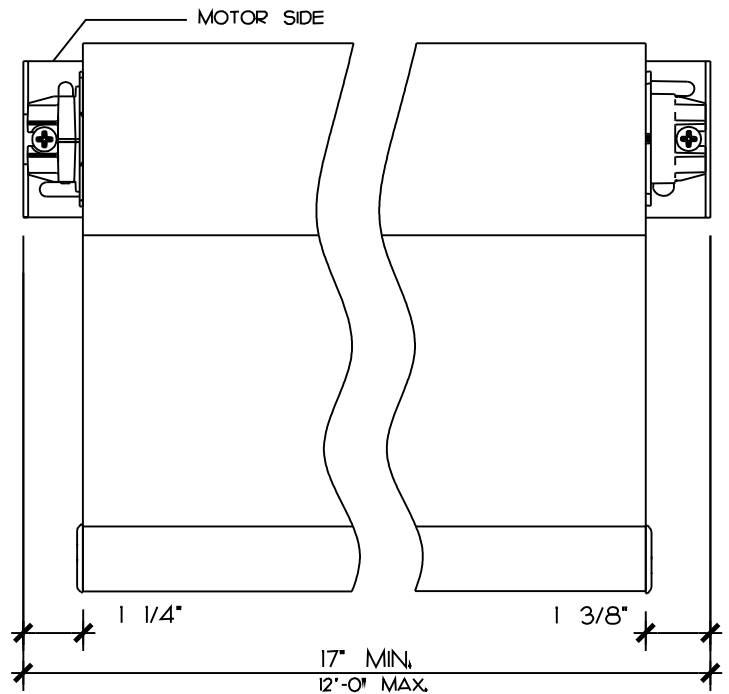
TUBE SIZE: 2 1/2" DIA.
 POCKET SIZE: 4 3/4" x 5"
 MAXIMUM ROLL-UP: 3"

LIGHT GAPS: 1 1/4" ON MOTOR SIDE
 1 3/8" ON IDLER SIDE



PRODUCT DIMENSIONS

SCALE: 6"=1'-0"



SHADE ELEVATION

SCALE: 3"=1'-0"



THE BOSTON SHADE COMPANY

TITLE:
 SOMFY ST50 STD, ILT, RTS - GENERAL
 DIMENSIONS

THE BOSTON SHADE COMPANY
 840 SUMMER STREET SUITE 205,
 BOSTON, MA 02127 T. 617.268.7460 F. 617.268.7461

DATE:08/01/09
 SCALE: VARIOUS
 DRAWN:EU

SKETCH NUMBER

50.0