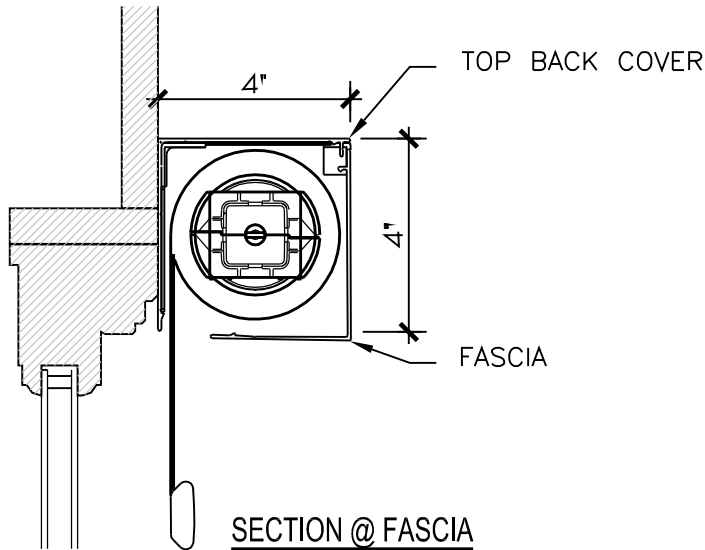


SOMFY ST50 STD, ILT, RTS - FASCIA MOUNT ROLLER SHADE

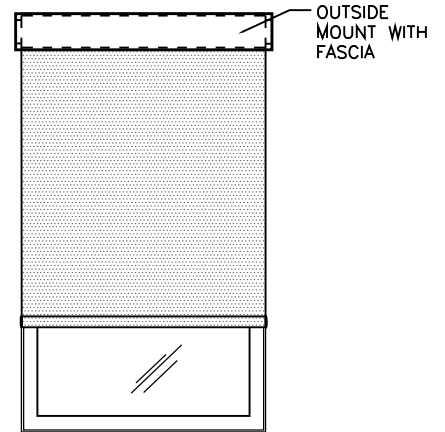
TYPICAL MAXIMUM SIZE: 144 SQFT
 MINIMUM WIDTH: 36"
 MAXIMUM WIDTH: 144" (12'-0")

LIGHT GAP WITH INSIDE MOUNT: 1 1/4" MIN. ON MOTOR SIDE
 1 3/8" MIN. ON IDLER SIDE

4" FASCIA - OUTSIDE MOUNT

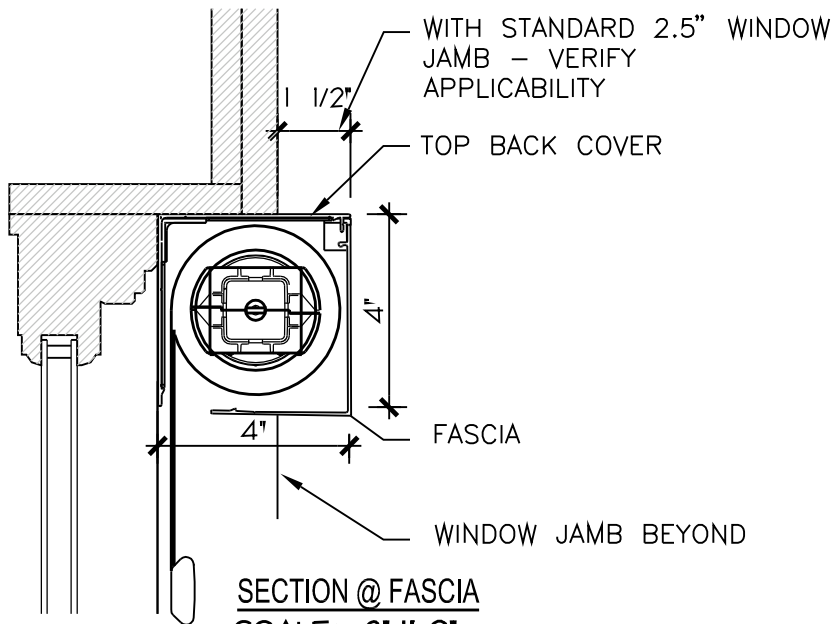


SECTION @ FASCIA
 SCALE: 3"-1'-0"

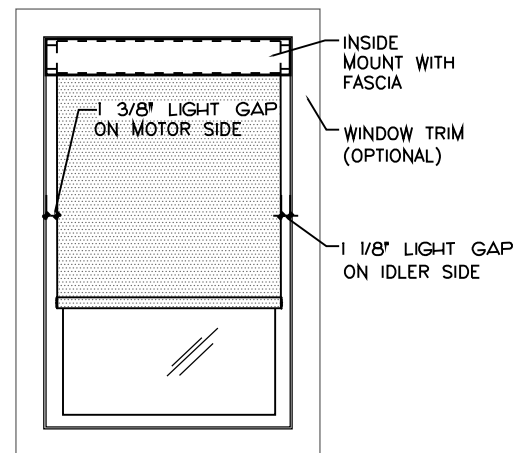


ELEVATION
 SCALE: 1/2"-1'-0"

4" FASCIA - INSIDE MOUNT



SECTION @ FASCIA
 SCALE: 3"-1'-0"



ELEVATION
 SCALE: 1/2"-1'-0"



THE BOSTON SHADE COMPANY

TITLE:
 SOMFY ST50 STD, ILT, RTS - FASCIA
 MOUNT ROLLER SHADE

THE BOSTON SHADE COMPANY
 840 SUMMER STREET SUITE 205,
 BOSTON, MA 02127 T. 617.268.7460 F. 617.268.7461

DATE:08/01/09
 SCALE: VARIOUS
 DRAWN:EU

SKETCH NUMBER

50.1