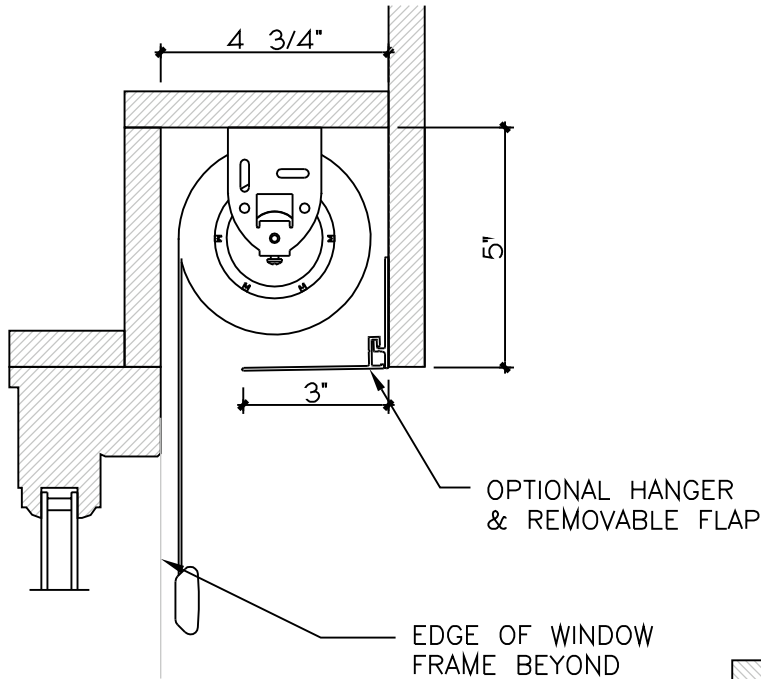


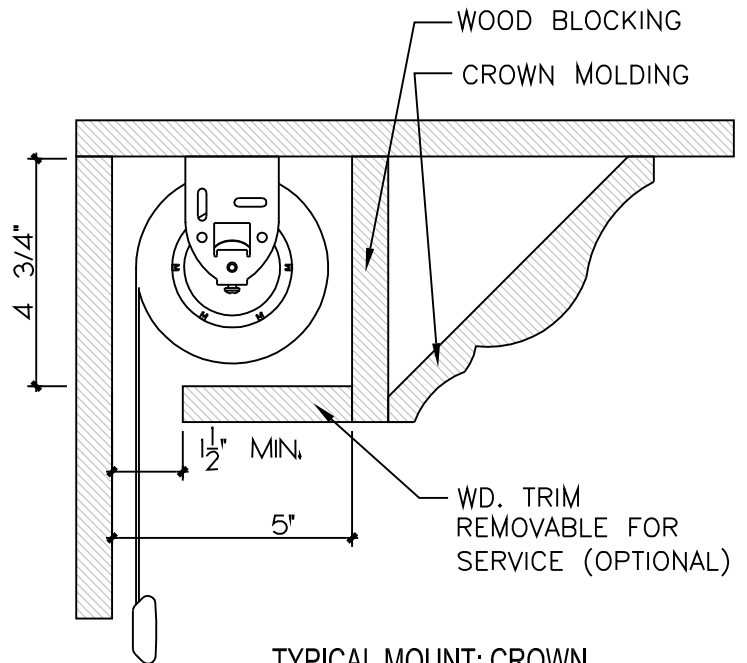
SOMFY ST50 STD, ILT, RTS - CUSTOM POCKET MOUNT ROLLER SHADE

TYPICAL MAXIMUM SIZE: 144 SQFT
 MINIMUM WIDTH: 36"
 MAXIMUM WIDTH: 144" (12'-0")

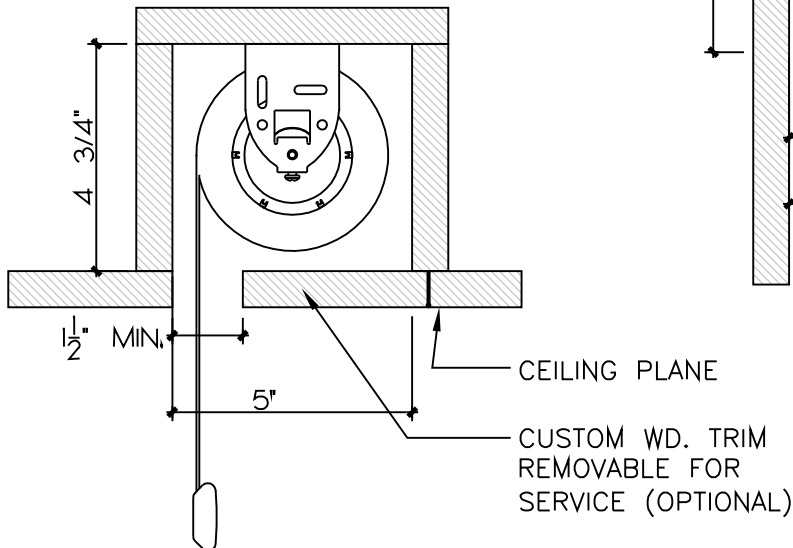
LIGHT GAP WITH INSIDE MOUNT: 1 1/4" MIN. ON MOTOR SIDE
 1 3/8" MIN. ON IDLER SIDE



TYPICAL MOUNT: WINDOW HEAD
 SCALE: 3" = 1'-0"



TYPICAL MOUNT: CROWN
 SCALE: 3" = 1'-0"



TYPICAL MOUNT: CEILING
 SCALE: 3" = 1'-0"



THE BOSTON SHADE COMPANY

TITLE:
 SOMFY ST50 STD, ILT, RTS - CUSTOM
 POCKET MOUNTED ROLLER SHADE

THE BOSTON SHADE COMPANY
 840 SUMMER STREET SUITE 205,
 BOSTON, MA 02127 T. 617.268.7460 F. 617.268.7461

DATE:08/01/09
 SCALE: VARIOUS
 DRAWN:EU

SKETCH NUMBER

50.4