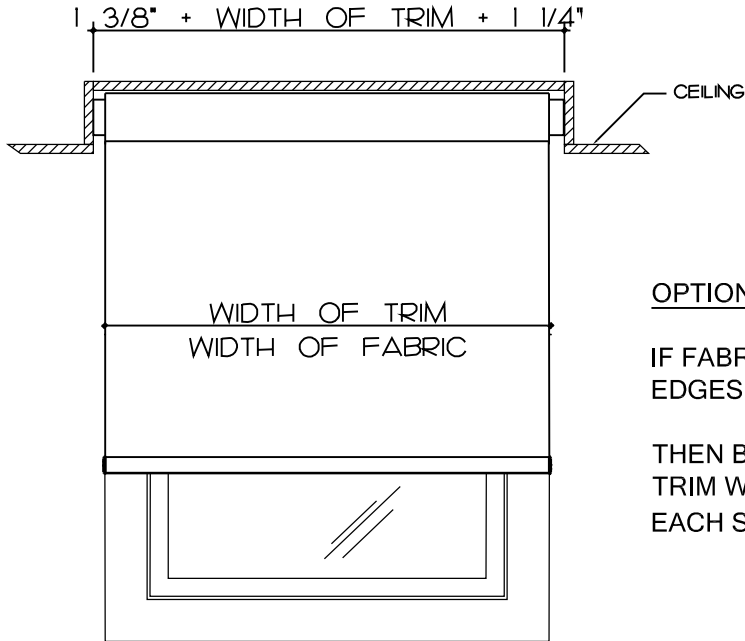


SOMFY ROLLER SHADE FABRIC WIDTH/GAP OPTIONS

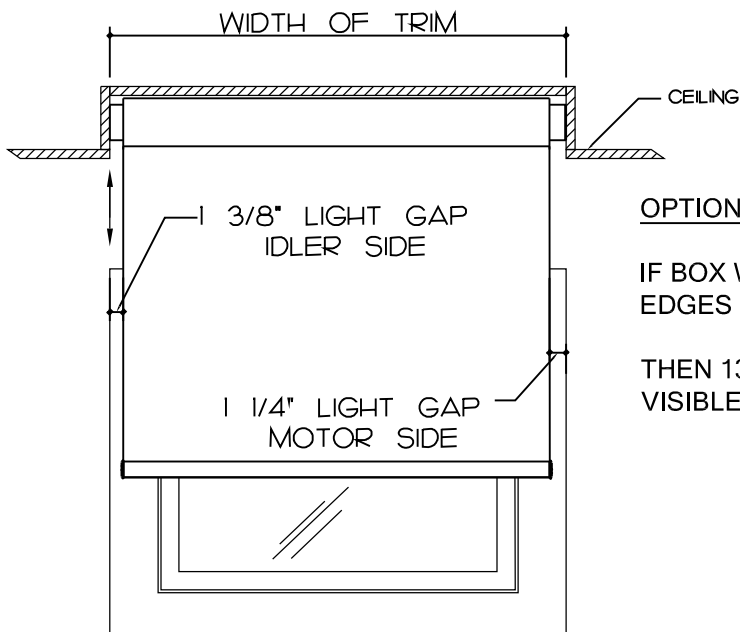
DESIGNER NOTE - SOMFY ST50 STD, ILT, RTS



OPTION 1:

IF FABRIC EDGES ALIGN WITH TRIM EDGES

THEN BOX WIDTH EQUALS THE TRIM WIDTH PLUS LIGHT GAPS ON EACH SIDE ($2 \frac{1}{2}''$ TOTAL).



OPTION 2:

IF BOX WIDTH ALIGNS WITH TRIM EDGES

THEN $13/16''$ OF TRIM WILL BE VISIBLE ON BOTH SIDES.



THE BOSTON SHADE COMPANY

TITLE:
SOMFY ROLLER SHADE FABRIC
WIDTH/GAP OPTIONS

THE BOSTON SHADE COMPANY
840 SUMMER STREET SUITE 205,
BOSTON, MA 02127 T. 617.268.7460 F. 617.268.7461

DATE:08/01/09
SCALE: NTS
DRAWN:EU

SKETCH NUMBER

50.5