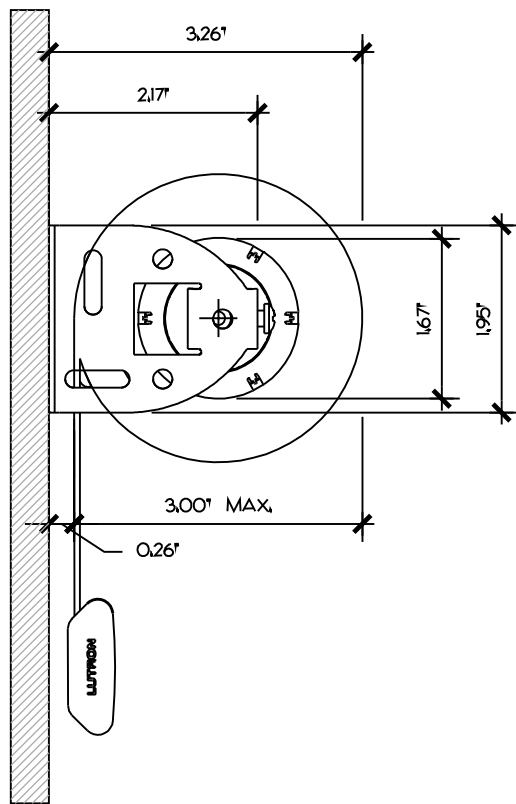


# LUTRON QED 64

IDEAL FOR SMALL- TO MEDIUM-SIZED WINDOWS

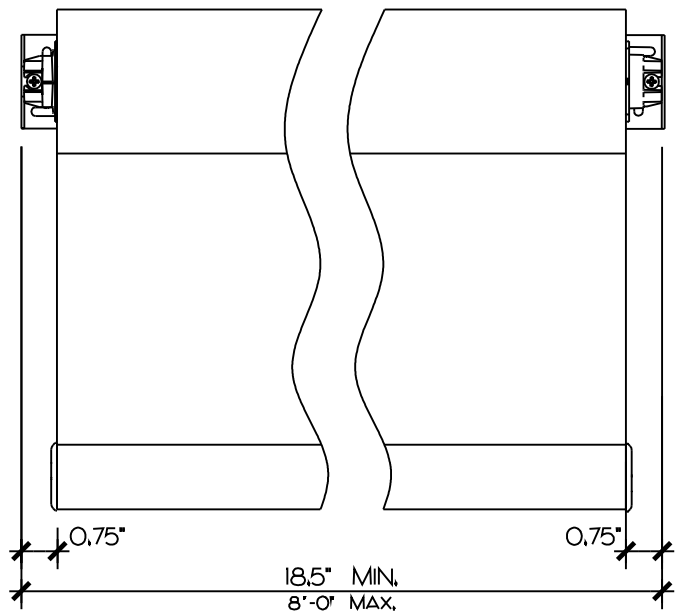
TYPICAL MAXIMUM SIZE: 64 SQ. FT.  
 MINIMUM WIDTH: 18.5"  
 MAXIMUM WIDTH: 96" (8'-0")  
 MAXIMUM HEIGHT: FABRIC DEPENDENT

TUBE SIZE: 1.625" DIA.  
 STD. POCKET SIZE: 3.5" x 3.5"  
 MAXIMUM ROLL-UP: 3" DIA.  
 LIGHT GAPS: .75" MINIMUM, SYMMETRICAL



## PRODUCT DIMENSIONS

SCALE: 6"=1'-0"



## SHADE ELEVATION

SCALE: 3"=1'-0"



THE BOSTON SHADE COMPANY

TITLE:  
LUTRON QED 64 GENERAL DIMENSIONS

THE BOSTON SHADE COMPANY  
 840 SUMMER STREET SUITE 205,  
 BOSTON, MA 02127 T. 617.268.7460 F. 617.268.7461

DATE:08/01/09  
 SCALE: VARIOUS  
 DRAWN:EU

SKETCH NUMBER

**64.0**