

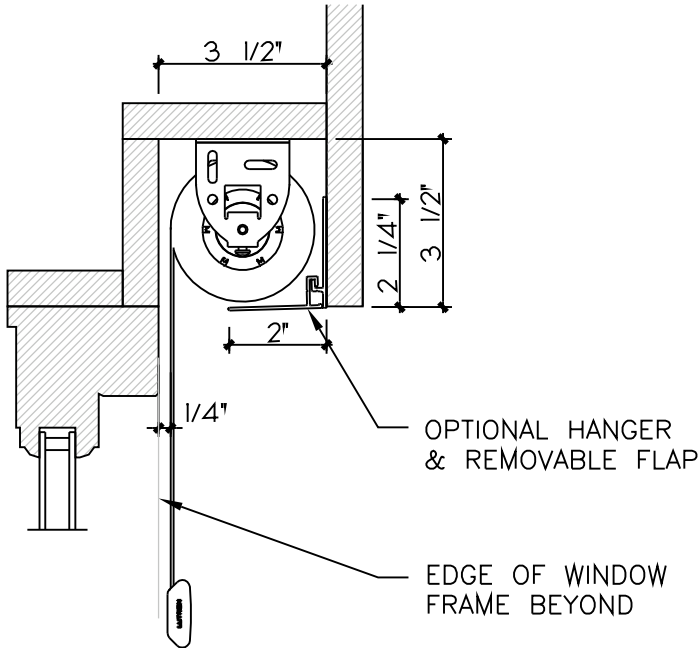
LUTRON QED 64 - CUSTOM POCKET MOUNTED

TYPICAL MAXIMUM SIZE: 64 SQ. FT.

MINIMUM WIDTH: 18.5"

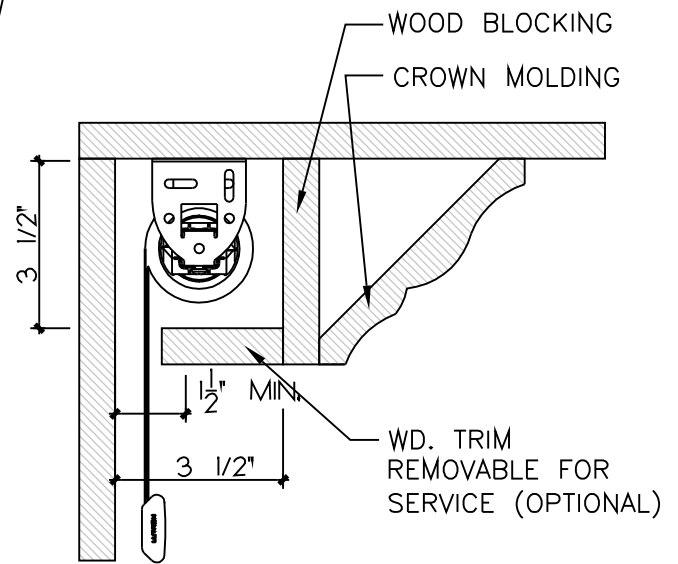
MAXIMUM WIDTH: 96" (8'-0")

LIGHT GAP WITH INSIDE MOUNT: 3/4" MIN. SYMMETRICAL



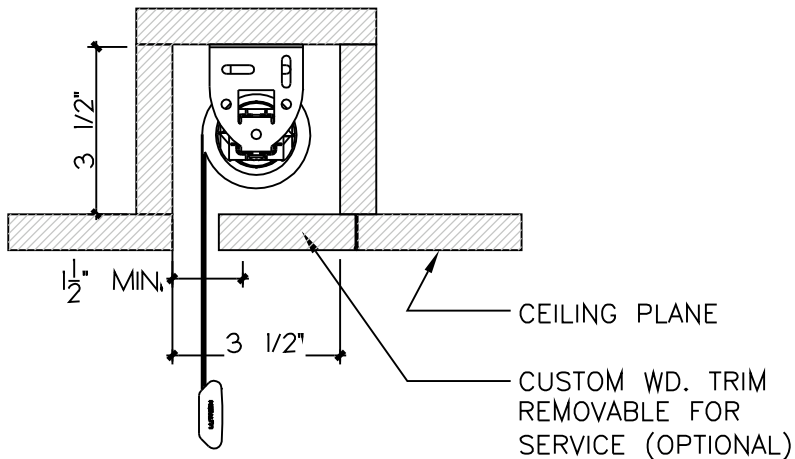
TYPICAL MOUNT: WINDOW HEAD

SCALE: 3/4" = 1'-0"



TYPICAL MOUNT: CROWN

SCALE: 3/4" = 1'-0"



TYPICAL MOUNT: CEILING

SCALE: 3/4" = 1'-0"



THE BOSTON SHADE COMPANY

TITLE:
LUTRON QED 64 POCKET MOUNT

THE BOSTON SHADE COMPANY
840 SUMMER STREET SUITE 205,
BOSTON, MA 02127 T. 617.268.7460 F. 617.268.7461

DATE:08/01/09
SCALE: VARIOUS
DRAWN:EU

SKETCH NUMBER

64.4