

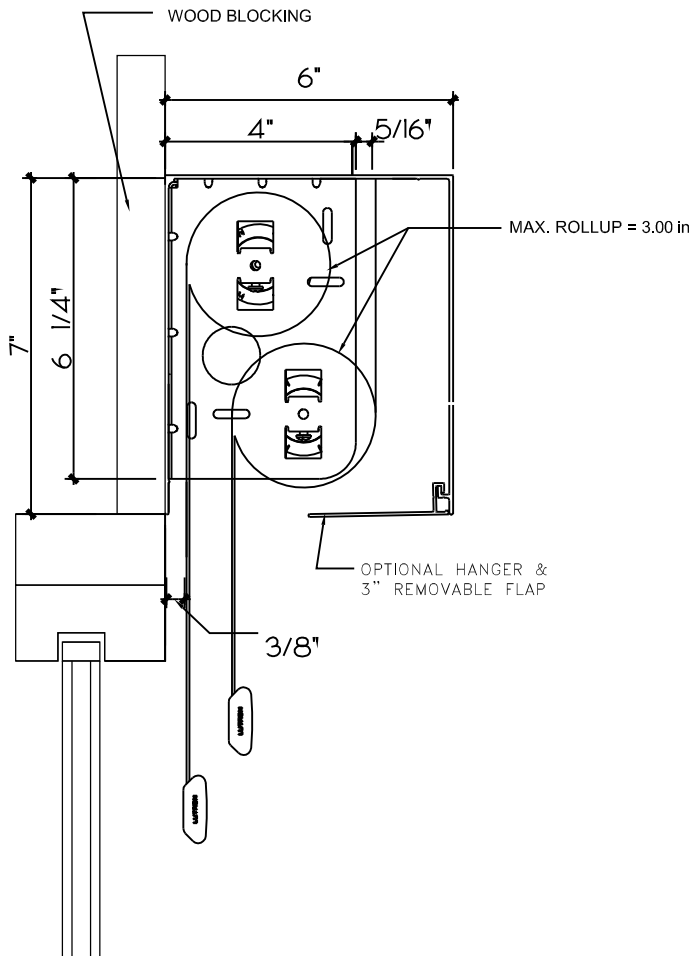
LUTRON QED 64 - DUAL MOUNT BRACKET

INSTALL TWO FABRIC PANELS OVER THE SAME WINDOW WITH THIS COMPACT BRACKET SYSTEM

TYPICAL MAXIMUM SIZE: 64 SQ. FT.
 MINIMUM WIDTH: 18.5"
 MAXIMUM WIDTH: 96" (8'-0")
 MAXIMUM HEIGHT: FABRIC DEPENDENT

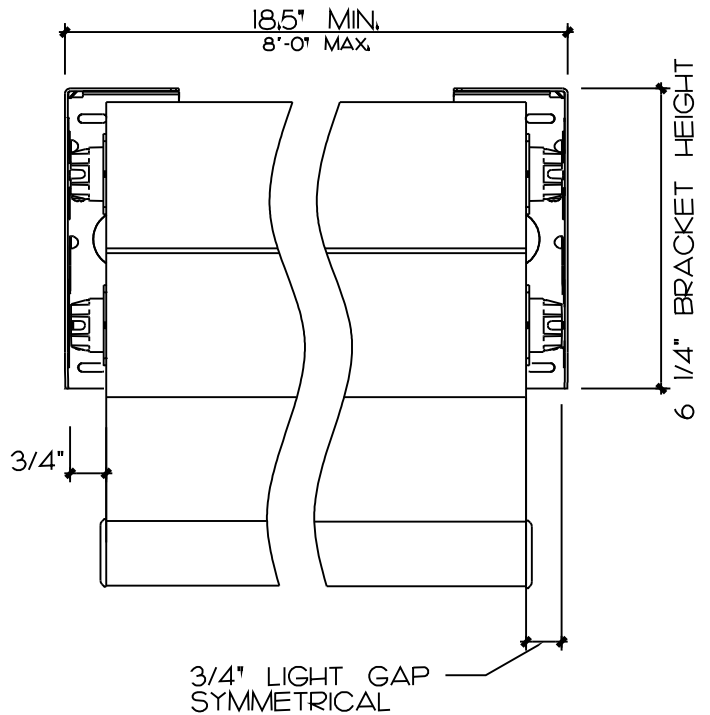
TUBE SIZE: 1.625" DIA. EACH
 POCKET SIZE: 6"X7" MIN. INSIDE DIM.
 MAXIMUM ROLL-UP: 3" DIA.EACH

LIGHT GAPS: .75" MINIMUM,
 SYMMETRICAL



BRACKET SECTION

SCALE: 3"=1'-0"



ELEVATION

SCALE: 3"=1'-0"



THE BOSTON SHADE COMPANY

TITLE:
LUTRON QED 64 DUAL MOUNT BRACKET

THE BOSTON SHADE COMPANY
 840 SUMMER STREET SUITE 205,
 BOSTON, MA 02127 T. 617.268.7460 F. 617.268.7461

DATE:08/01/09
 SCALE: VARIOUS
 DRAWN:EU

SKETCH NUMBER

64.5