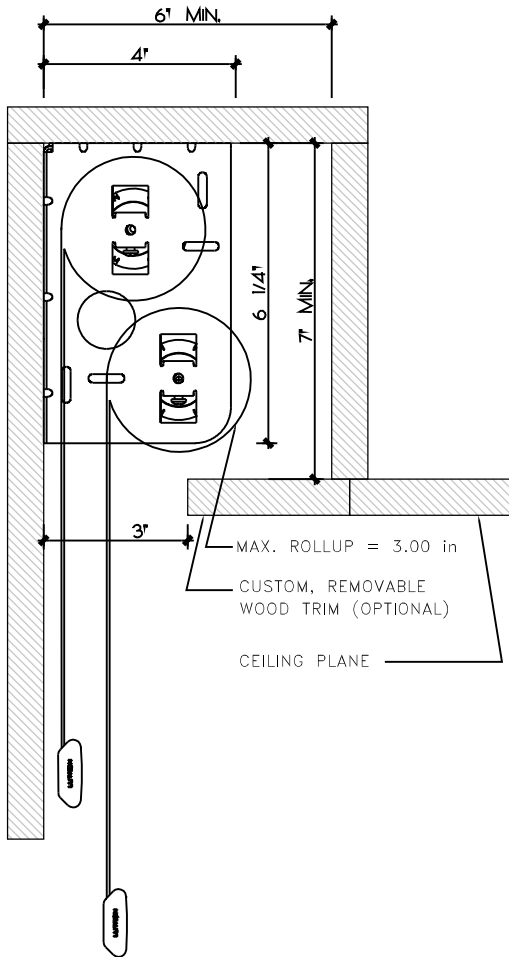


LUTRON QED 64 - DUAL MOUNT CUSTOM POCKET

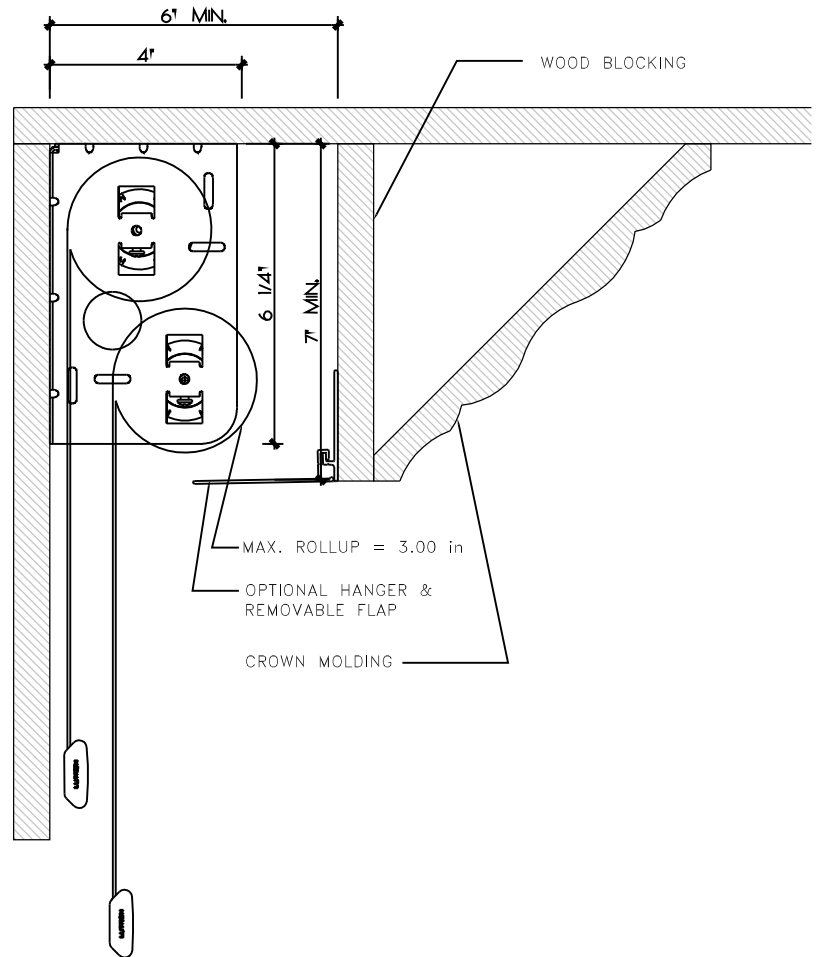
TYPICAL MAXIMUM SIZE: 64 SQ. FT.
 MINIMUM WIDTH: 18.5"
 MAXIMUM WIDTH: 96" (8'-0")

REQUIRED POCKET SIZE: 6" X 7"
 LIGHT GAP WITH INSIDE MOUNT: 3/4"



CEILING MOUNT

SCALE: 3"=1'-0"



CROWN MOUNTED

SCALE: 3"=1'-0"



THE BOSTON SHADE COMPANY

TITLE:
LUTRON QED 64 DUAL MOUNT CUSTOM
POCKET

THE BOSTON SHADE COMPANY
 840 SUMMER STREET SUITE 205,
 BOSTON, MA 02127 T. 617.268.7460 F. 617.268.7461

DATE:08/01/09
 SCALE: VARIOUS
 DRAWN:EU

SKETCH NUMBER

64.6