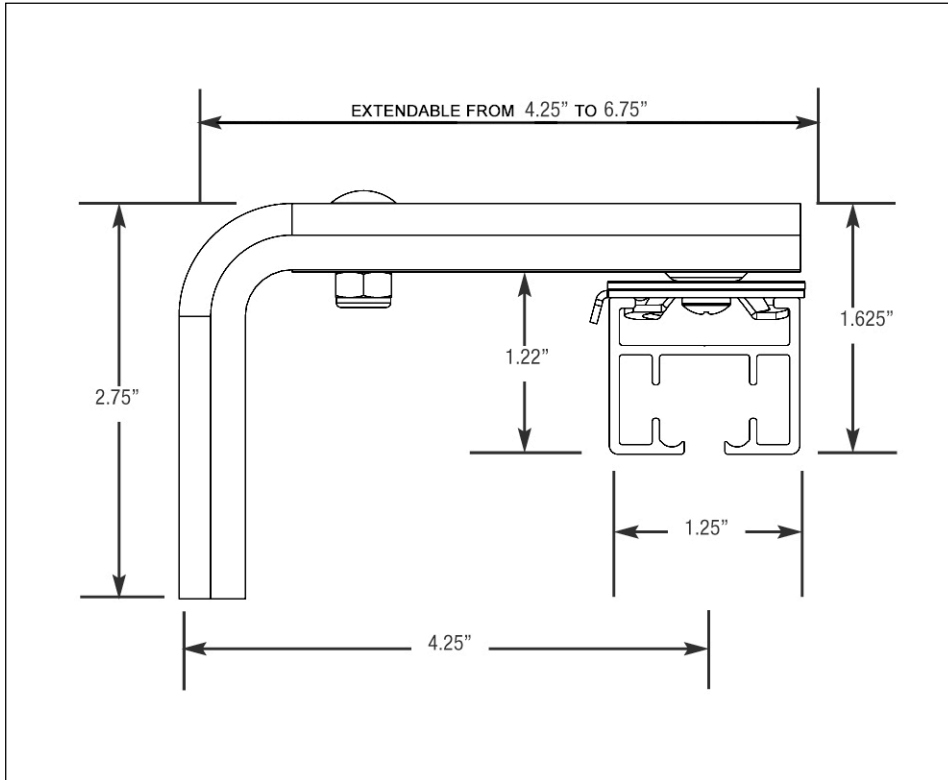


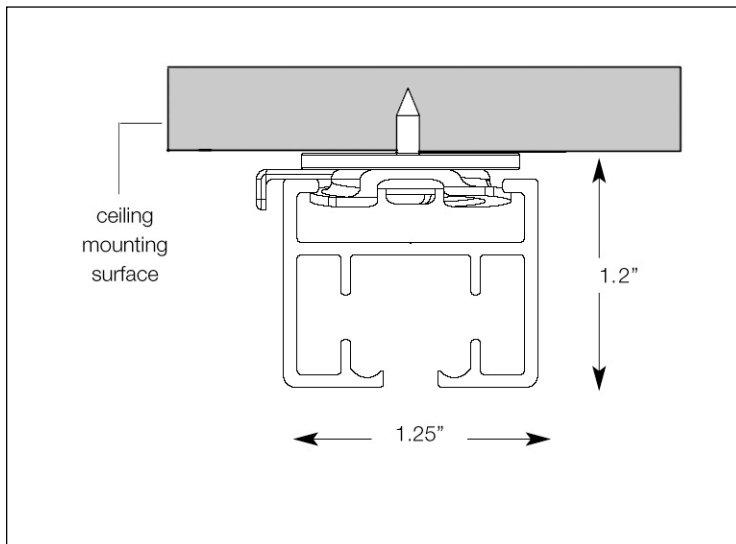
LUTRON DRAPERY TRACK

MAXIMUM TRACK WIDTH, STANDARD : 18 FT.
 MAXIMUM TRACK WIDTH, TANDEM : 36 FT.

TRACK AVAILABLE IN WHITE, BRONZE AND CLEAR ANONIZED



WALL MOUNT
 SCALE: NTS



CEILING MOUNT
 SCALE: NTS



THE BOSTON SHADE COMPANY

TITLE:
 LUTRON DRAPERY TRACK

THE BOSTON SHADE COMPANY
 840 SUMMER STREET SUITE 205,
 BOSTON, MA 02127 T. 617.268.7460 F. 617.268.7461

DATE:08/01/09
 SCALE: VARIOUS
 DRAWN:EU

SKETCH NUMBER

D2