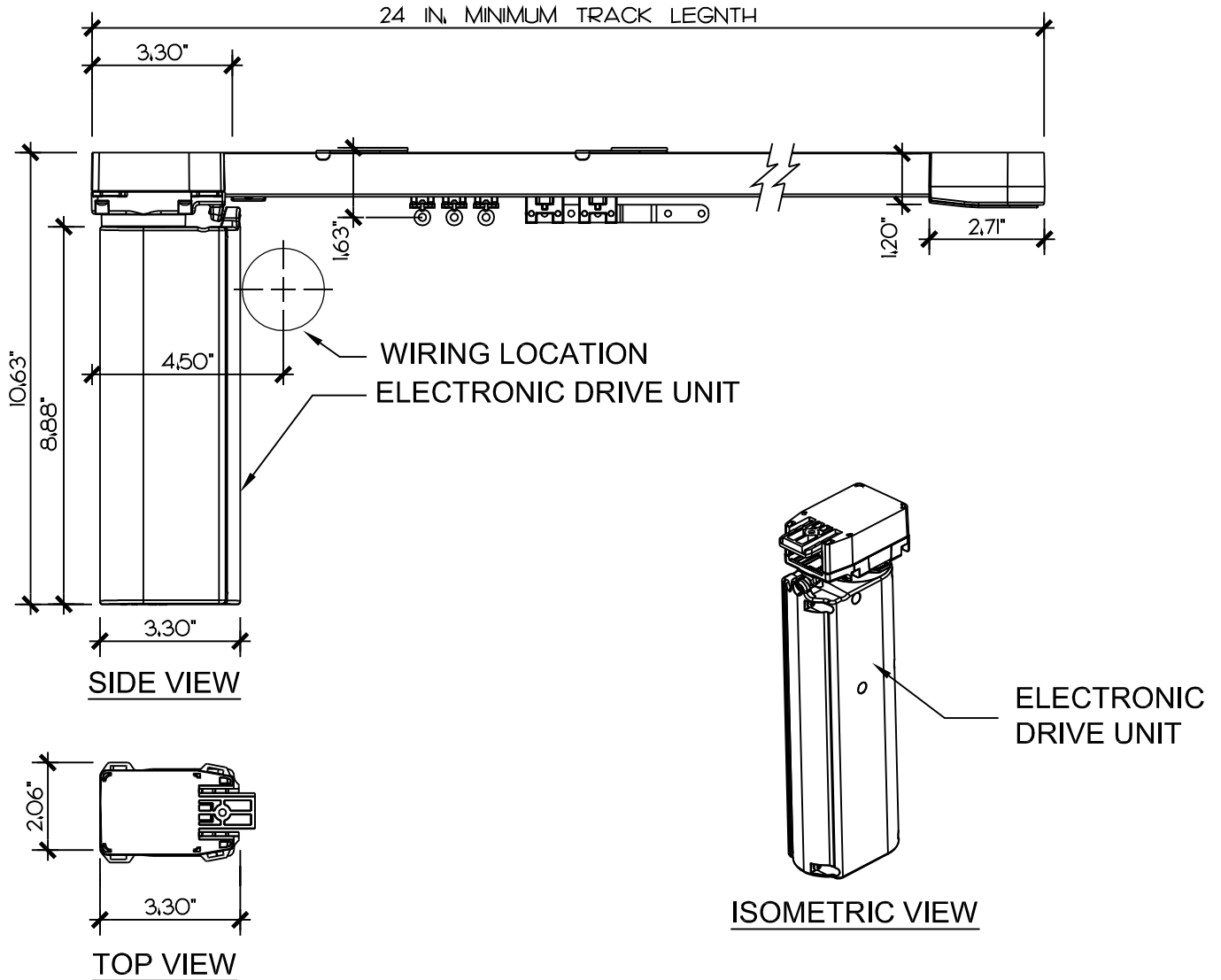


LUTRON DRAPERY TRACK

ONE-TOUCH CONTROL FOR INDIVIDUAL, OR GROUPS OF DRAPERIES. INTEGRATES WITH SIVOIA QED ROLLER AND ROMAN SHADES. OWNER CAN INSTALL ANY FABRIC SELECTION.

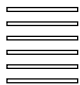
MAXIMUM TRACK WIDTH, STANDARD : 18 FT.
 MAXIMUM TRACK WIDTH, TANDEM : 36 FT.

TRACK AVAILABLE IN WHITE, BRONZE AND CLEAR ANONIZED



PRODUCT DIMENSIONS

SCALE: 3"=1'-0"

 THE BOSTON SHADE COMPANY	TITLE: LUTRON QED DRAPERY TRACK OVERVIEW	DATE:08/01/09 SCALE: VARIOUS DRAWN:EU	SKETCH NUMBER <h1>D1</h1>
	THE BOSTON SHADE COMPANY 840 SUMMER STREET SUITE 205, BOSTON, MA 02127 T. 617.268.7460 F. 617.268.7461		