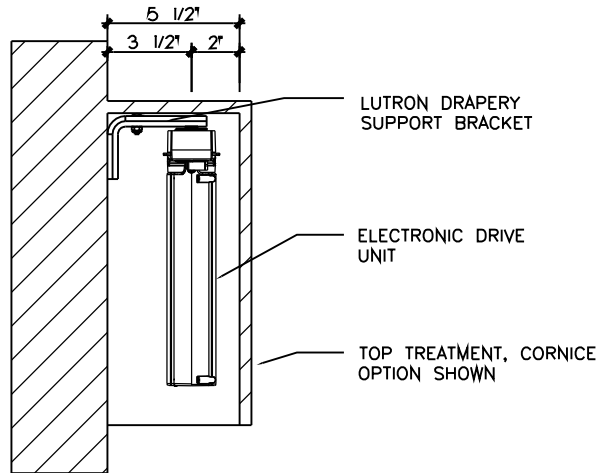


LUTRON DRAPERY - SINGLE TRACK

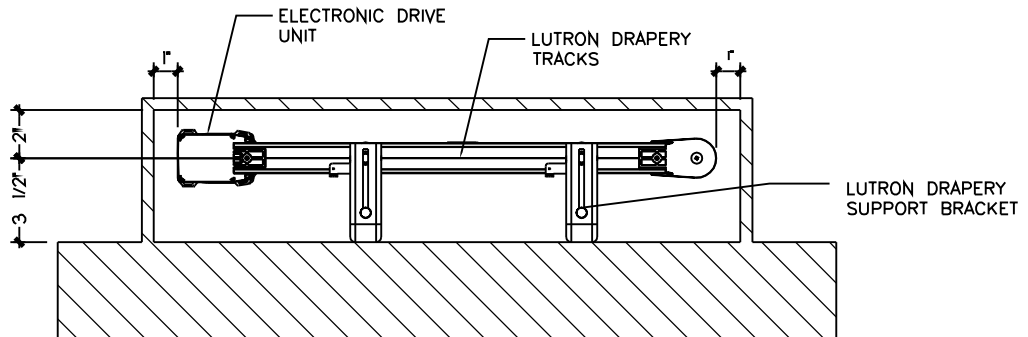
MAXIMUM TRACK WIDTH, STANDARD : 18 FT.
 MAXIMUM TRACK WIDTH, TANDEM : 36 FT.

TRACK AVAILABLE IN WHITE, BRONZE AND CLEAR ANONIZED



SECTION

SCALE: 1 1/2" = 1'-0"



PLAN SECTION

SCALE: 1 1/2" = 1'-0"



THE BOSTON SHADE COMPANY

TITLE:
LUTRON DRAPERY - SINGLE TRACK

THE BOSTON SHADE COMPANY
 840 SUMMER STREET SUITE 205,
 BOSTON, MA 02127 T. 617.268.7460 F. 617.268.7461

DATE:08/01/09
 SCALE: 1 1/2" = 1'-0"
 DRAWN:EU

SKETCH NUMBER

D3