

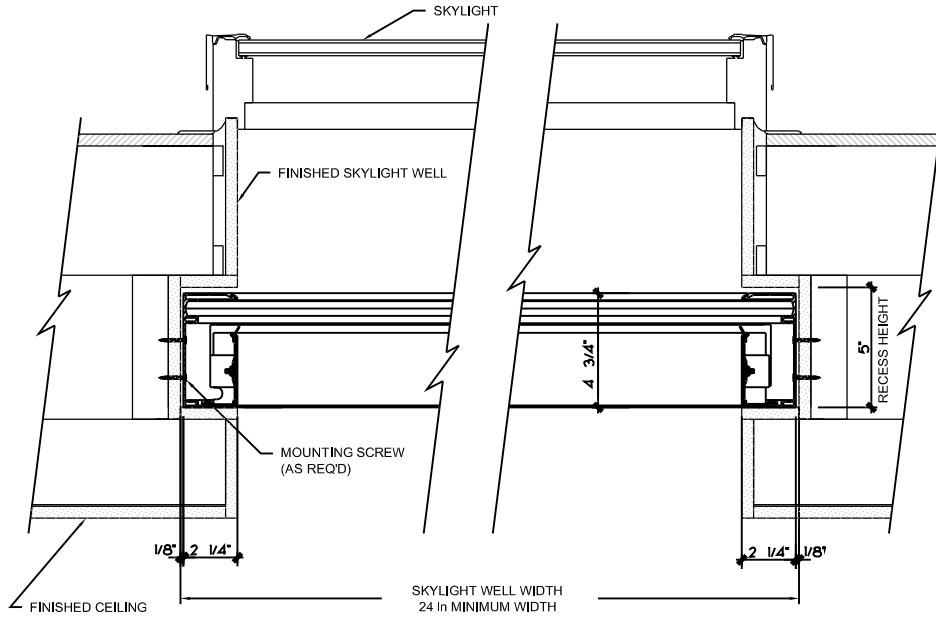
LUTRON TENSION ROLLER - RECESSED MOUNT

INNOVATIVE NEW PRODUCT KEEPS FABRIC TAUT AND PARALLEL TO SKYLIGHTS AND ANGLED WINDOWS

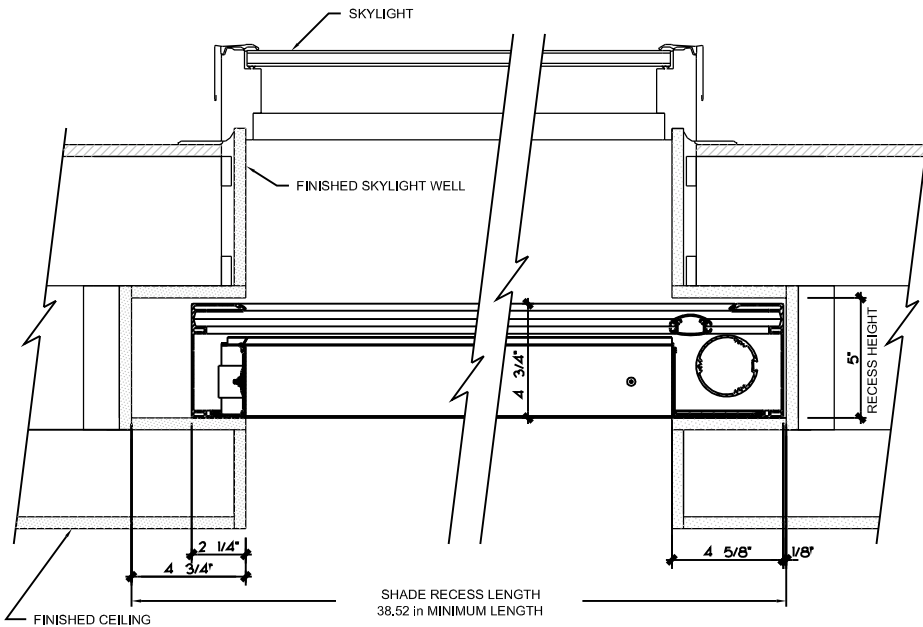
MAXIMUM WIDTH : 24 IN.
 MINIMUM LENGTH: 36 IN.

MAXIMUM WIDTH: 96 IN.
 MINIMUM LENGTH: 120 IN.

NO LIGHT GAP
 NO VISIBLE FASCIA



SECTION AT WIDTH
 SCALE: 1 1/2"=1'-0"



SECTION AT LENGTH
 SCALE: 1 1/2"=1'-0"



THE BOSTON SHADE COMPANY

TITLE:
 LUTRON TENSION ROLLER - RECESSED
 MOUNT

THE BOSTON SHADE COMPANY
 840 SUMMER STREET SUITE 205,
 BOSTON, MA 02127 T. 617.268.7460 F. 617.268.7461

DATE:08/01/09
 SCALE: VARIOUS
 DRAWN:EU

SKETCH NUMBER

TR2